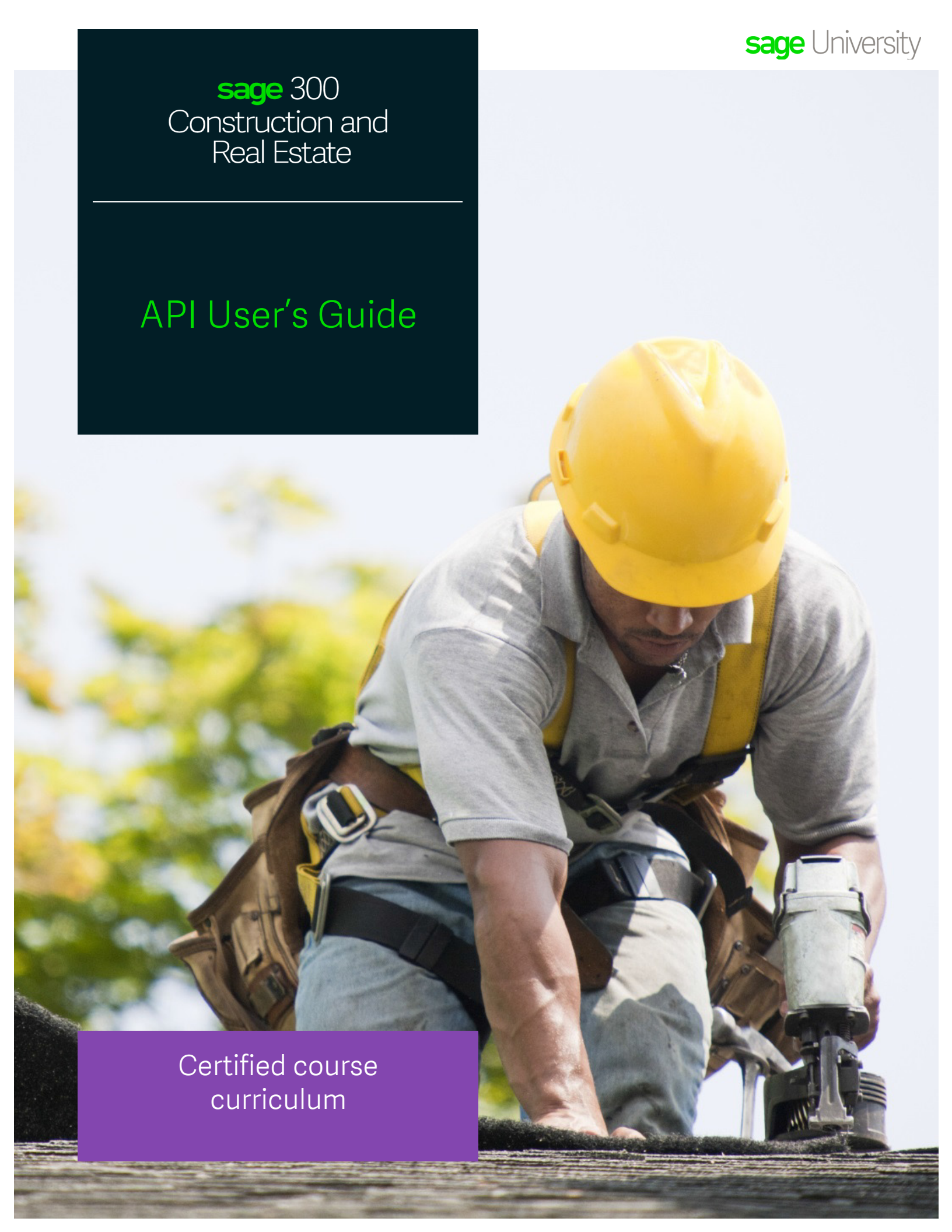


sage 300  
Construction and  
Real Estate

---

## API User's Guide



Certified course  
curriculum

## **Important Notice**

This is a publication of Sage Software, Inc.

The course materials provided are the property of The Sage Group plc or its licensors ("Sage"). Please do not copy, reproduce, modify, distribute or disburse without express consent from Sage.

This material is provided as a general guidance for informational purposes only. Accordingly, Sage does not provide advice per the information included. The use of this material is not a substitute for the guidance of a lawyer, tax, or compliance professional. When in doubt, please consult your lawyer, tax, or compliance professional for counsel. This material is provided on an "as is" basis. Sage makes no representations or warranties of any kind, express or implied, about the completeness or accuracy of this training materials. Whilst Sage may make changes to this training materials at any time without notice, Sage makes no commitment to update the training materials every time Sage's products are updated.

The Sage product(s) described herein is/are governed by the terms and conditions per the Sage End User License Agreement ("EULA") or other agreement that is provided with or included in the Sage product(s). Nothing in this document supplements, modifies, or amends those terms and conditions.

© 2018 The Sage Group plc or its licensors. All rights reserved. Sage, Sage logos, and Sage product and service names mentioned herein are the trademarks of The Sage Group plc or its licensors. All other trademarks are the property of their respective owners.

# About the Sage 300 Construction and Real Estate Web API's

The Sage 300 Construction and Real Estate APIs are deployed to the customer's accounting server at the time of installation. These APIs expose transactional and lookup endpoints designed to fully integrate development partner applications and Sage 300 Construction and Real Estate. These endpoints accept and return JavaScript Object Notation (JSON) formatted objects.

Each of the endpoints requires you to have one or more Sage licenses in order to implement them. Additionally, to use your application, customers must have the appropriate licenses and user permissions. The requisite licenses and permissions are listed for each endpoint in this document.

## HTTP headers

Your application should manage the correct URL based on the customer's implementation of Sage 300 Construction and Real Estate. The HTTP headers require certain key, authentication, data folder, and formatting information on all API requests.



**NOTE:** As a development partner, you should have received information on how to acquire a unique API key from Sage. This key authorizes your interfacing application to use specific features exposed by the APIs. A valid key gives you access to a set of common APIs for a specific amount of time. A new key will be issued when you renew your development partner agreement.

A valid API key must be attached to the **X-DPPKey** field of the HTTP header for each request. The key's signature is checked against the license to verify that the API endpoint being executed is included in your license. This example shows the format for the API key (although the license ID and signature shown here are not valid):

```
<License>
  <Id>b7999a73-659d-48ca-9b21-970e57e4784d</Id>
  <Type>Standard</Type>
  <Customer>
    <Name>Partner Company</Name>
    <Email></Email>
  </Customer>
  <ProductFeatures>
    <Feature name = "Payroll Time API">yes</Feature>
  </ProductFeatures>
  <Signature>MEQCIGCHD0fxHt1B9H4HuYYY7HNdwwALaaGwdaVb5m6+BR+4AiBCzhZ2/
  wp0o6beyc58Efc8EkzzzbAUyMjjT+TLtaXJ2A==</Signature>
</License>
```

## Response Classes

Responses for each endpoint can have up to four nodes: **Data**, **Errors**, **Meta**, and **Success**, listed as follows:

```
{
  Data: [...],
  Errors: [...],
  Meta: [...],
  Success: true
}
```

In some cases, only the data attributes are listed, in which case the list of fields appears without a node name:

```
[ {
  Field1: "string",
  Field 2: "string"...
} ]
```

In this document, the list of **Data** attributes is provided for each endpoint. The **Errors**, **Meta**, and **Success** nodes do not vary in structure from one , and are shown in this table.

Node	Schema
<b>Errors</b>	ID (string), Links: About (string) Code (string) Title (string) Detail (string) Meta: InfoList: Code (string) Description (string) Custom (inline_model)
<b>Meta</b>	InfoList: Code (string) Description (string) Custom (inline_model)
<b>Success</b>	Success (boolean)

## HTTP status codes

This table shows some common HTTP response codes generated by the endpoints. You can find information about other codes at <https://developer.mozilla.org/en-US/docs/Web/HTTP/Status>.

HTTP status code	Reason	Model
<b>400</b>	The request validation has failed.	string
<b>401</b>	The user authentication failed.	string
<b>403</b>	The user is not licensed/permitted	string
<b>500</b>	The server encountered an unexpected condition which prevented it from fulfilling the request.	string

## Common endpoints

These endpoints are available to development partners with any valid API key license.

### /api/metadata/classes (GET)

Gets the list of aliases for metadata classes. Each column in the response list can be used as a **SortField**.

Request Parameters				
Parameter	Required	Description	Parameter type	Data type
X-DatabaseName	✓	The company data folder name.	header	string
X-Credentials	✓	The user credentials token.	header	string
X-DPPKey	✓	The DPP license key for this API.	header	string

Response Class Data Node		
Attributes	Data type	Notes
String array	string	List of class names.

The response class includes the **Errors**, **Meta**, and **Success** nodes.

Licensing and User Permission Requirements		
DPP Licenses	Customer Licenses	User Permissions
Valid DPP license of any type		

### /api/metadata (GET)

Gets the metadata (schema) for a specified class. This is important because the schema can be customized by Sage 300 Construction and Real Estate users in **Custom Descriptions** and **Custom Fields**.

- The **Custom Descriptions** window allows users to change attributes of *existing* fields, such as the name, length, formatting (if the field is formatted), and list items (if the field is a list). For example customers format their General Ledger account number sections and lengths in this window. If the field description has been changed, this endpoint provides the new name (**CustomDescription**)
- The **Custom Fields** window lets users add *new* fields to specific records. For example, a user might add fields to the Job Cost job record called **LEED Certification level** (alpha) and **LEED points** (number). These windows show the settings for the alpha and number types, respectively. Each data type has corresponding settings, and all settings are included in the response class.

The screenshot shows the 'Add Field' dialog box with the following settings:

- Description: LEED certification level
- Type: Alpha (selected)
- Length: 40
- Required entry:
- Capitals:
- Name field:
- Justification: Left (selected)
- Right:
- ODBC Options:
  - Allow read:
  - Allow replace:

The screenshot shows the 'Add Field' dialog box with the following settings:

- Description: LEED points level
- Type: Numeric (selected)
- Number of digits: 2
- Required entry:
- Signed:
- Percent:
- Total this field:
- Commas:
- Disallow zero:
- Leave blank if zero:
- Decimal places: 2
- ODBC Options:
  - Allow read:
  - Allow replace:

Request Parameters			/api/metadata (GET)	
Parameter	Required	Description	Parameter type	Data type
<b>classNames</b>	✓	Name of the class. Provide multiple values in new lines (at least one is required).	query	Array[string]
<b>X-DatabaseName</b>	✓	The company data folder name.	header	string
<b>X-Credentials</b>	✓	The user credentials token.	header	string
<b>X-DPPKey</b>	✓	The DPP license key for this API.	header	string

Response Class Data Node		/api/metadata (GET)
Schema	Notes	
ClassName (string) MetadataList (list): Key (string) Metadata MetadataType (string) CustomField (boolean) Signed (boolean) Percent (boolean) TotalThisField (boolean) Commas (boolean) DisallowZero (boolean) LeaveBlankIfZero (boolean) DecimalPlaces (integer) DateEntryFormat (string) TimeEntryFormat (string) TimeType (string) PhoneEntryFormat (string) AllCaps (boolean) CustomDescription (string) CustomList (list): Default (string) List (string array) DefaultValue (object) ExampleFormat (string) ExampleFormatWithSectionNames (string) FieldLabel (string) FieldType (string) FormattedMaxLength (integer) Name (string) ReadOnly (boolean) RequiredField (boolean) RightJustify (boolean) UnformattedMaxLength (integer) Visible (boolean)	<ul style="list-style-type: none"> <li>The <b>CustomField</b> attribute indicates whether the field has been set up in <b>Custom Fields</b>.</li> <li>The <b>CustomDescription</b> attribute provides the customized name of the object from <b>Custom Descriptions</b>. If the name has not been customized, the default name is returned.</li> <li>The <b>CustomList</b> attribute provides the values list from <b>Custom Descriptions</b> when a custom description field is a list that can be customized.</li> <li>The <b>FormattedMaxLength</b> attribute provides the length of the field, which can be changed (<b>Custom Descriptions</b>) or set (<b>Custom Fields</b>).</li> <li>The other attributes in this list correspond to entries in <b>Custom Descriptions</b> and <b>Custom Fields</b>.</li> </ul>	
The response class includes the <b>Errors</b> , <b>Meta</b> , and <b>Success</b> nodes described on page 3.		

Licensing and User Permission Requirements			/api/metadata (GET)
DPP Licenses	Customer Licenses	User Permissions	
Valid DPP license of any type			

## /api/common/version (GET)

Gets the product version and returns it as a single string value.

Request Parameters			/api/common/version (GET)	
Parameter	Required	Description	Parameter type	Data type
X-DPPKey	✓	The DPP license key for this API.	header	string

Response Class Data Node			/api/common/version (GET)	
Attributes	Data type	Notes		
string	string	Software version.		

Licensing and User Permission Requirements			/api/common/version (GET)	
DPP Licenses	Customer Licenses	User Permissions		
Valid DPP license of any type				



## /api/common/files (GET)

Gets the list of named files. Each column in the response list can be used as a **SortField** value.

Sage 300 Construction and Real Estate stores Pervasive data files with default names. Users can use different file names to organize or separate records using the **File Locations** window. For example, a customer might want to store field employee payroll records in the generic Payroll file, but keep executive pay information in a different, named file. Use this endpoint to fetch the file names in which the data you are working with could be stored.

Request Parameters			/api/common/files (GET)		
Parameter	Required	Description	Parameter type	Data type	
<b>FileExtension</b>	✓	The named file extension.	query	string	
<b>FileCode</b>		The named file code, with one of these values:	query	string	
		<b>Default</b>			All other codes.
		<b>NewActive</b>			Unposted transactions or batches, or open contracts.
		<b>CurrentStandard</b>			Posted transactions or batches, or setup information.
		<b>History</b>	Archived transactions or batches.		
<b>SortDirection</b>		The sort direction— <b>Ascending</b> or <b>Descending</b> .	query	string	
<b>SortField</b>		The sorted field.	query	string	
<b>Skip</b>		Skips the input quantity of records.	query	integer	
<b>Take</b>		Limits results to the input quantity.	query	integer	
<b>X-DatabaseName</b>	✓	The company data folder name.	header	string	
<b>X-DPPKey</b>	✓	The DPP license key for this API.	header	string	

Response Class Data Node			/api/common/files (GET)
Attributes	Data type	Notes	
FileCode	string	The named file code (see the parameters list, above).	
FileExtension	string		
FileName	string		

Licensing and User Permission Requirements			/api/common/files (GET)
DPP Licenses	Customer Licenses	User Permissions	
Valid DPP license of any type			



## /api/common/user/authenticate (POST)

Issues and manages authentication tokens for valid Sage 300 Construction and Real Estate users' Windows credentials. The authentication token returned by this endpoint must be attached to the **X-Credentials** field of the HTTP header for each subsequent request.



**NOTE:** The user name must include the domain, and the backslash must be escaped in the JSON payload, as shown here: **Domain\\UserName**.

Request Parameters			/api/common/user/authenticate (GET)	
Parameter	Required	Description	Parameter type	Data type or model
<b>credentials</b>	✓	User credentials payload.	body	userid (string), password (string)
<b>X-DPPKey</b>	✓	The DPP license key for this API.	header	string

Response Class Data Node			/api/common/user/authenticate (GET)
Attributes	Data type	Notes	
string	string	Authentication token.	

Licensing and User Permission Requirements			/api/common/user/authenticate (GET)
DPP Licenses	Customer Licenses	User Permissions	
Valid DPP license of any type			

## /api/common/company (GET)

Returns a list of companies to which the authenticated user has access.

**About company folders:** Sage 300 Construction and Real Estate data can be organized into different “companies” (or databases), with a single server hosting multiple companies. Administrators make companies available to users by adding them to the “company list.” Depending on security settings, Sage 300 Construction and Real Estate users might not have access to all companies on the company list.

The API provides a header field (**X-DatabaseName**) for specifying the company, which is required on most API requests. The authenticated user must have access to the specified company.

Request Parameters			/api/common/company (GET)	
Parameter	Required	Description	Parameter type	Data type
<b>X-Credentials</b>	✓	The user credentials token.	header	string

Response Class Data Node			/api/common/company (GET)
Attributes	Data type	Notes	
Id	string		
Name	string		
Database	string		
Path	string		
Description	string	Typically, the database <b>Name</b> and <b>Description</b> match. Users see a warning message when opening the company if these are inconsistent.	

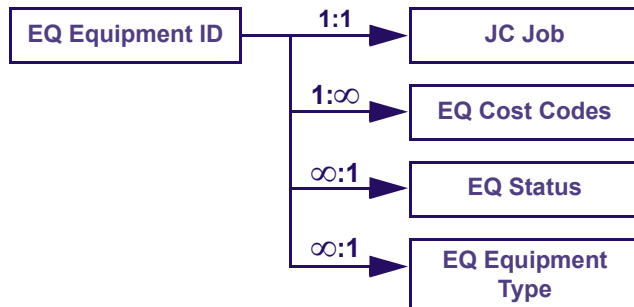
Licensing and User Permission Requirements			/api/common/company (GET)
DPP Licenses	Customer Licenses	User Permissions	
Valid DPP license of any type			

## Equipment endpoints

Equipment Cost (EQ) lets users track costs associated with pieces of equipment used on jobs. Users can set up EQ cost codes, which are different from Job Cost cost codes. Multiple EQ cost codes can be applied to each equipment ID. Equipment types can also be set up, which lets users group equipment items on reports.

Equipment can be assigned to jobs. This lets users track which pieces of equipment are available. When users enter transactions in Job Cost, they can associate the transaction with the equipment.

Use the Equipment endpoint to fetch the equipment list. You can filter the list by equipment status. The list of statuses can be customized in [Custom Descriptions \(EQ Status\)](#).



### /api/equipment (GET)

Gets a list of the Equipment Cost equipment items. Each column in the response list can be used as a **SortField**.

Request Parameters			/api/equipment (GET)	
Parameter	Required	Description	Parameter type	Data type
Status		An equipment status.	query	string
SortDirection		The sort direction— <b>Ascending</b> or <b>Descending</b> .	query	string
SortField		The sorted field.	query	string
Skip		Skips the input quantity of records.	query	integer
Take		Limits results to the input quantity.	query	integer
X-DatabaseName	✓	The company data folder name.	header	string
X-Credentials	✓	The user credentials token.	header	string
X-DPPKey	✓	The DPP license key for this API.	header	string

Response Class Data node			/api/equipment (GET)
Attributes	Data type	Notes	
Attached to	string	Equipment items can be attached to one another if they must work together.	
Category	string	The Job Cost category assigned to the equipment item.	
Cost Code	string	The Job Cost cost code assigned to the item.	
Description	string		
Employee	string	The Payroll employee associated with the equipment (the equipment operator).	

Response Class Data node (Continued)			/api/equipment (GET)
Attributes	Data type	Notes	
Equipment	string		
Equipment_Type	string	The type of equipment (from EQM_MASTER_EQUIPMENT_TYPE)	
Job	string		
Make	string		
Model	string		
Status	string		

Licensing and User Permission Requirements			/api/equipment (GET)
DPP Licenses	Customer Licenses	User Permissions	
Equipment Lookups	Equipment API Lookups	APIs > Enter Time	

## /api/equipment/costcode (GET)

Gets a list of the Equipment Cost cost code items. Each column in the response list can be used as a **SortField**.

Request Parameters			/api/equipment/costcode (GET)	
Parameter	Required	Description	Parameter type	Data type
<b>Equipment</b>		The equipment id with which the cost code is associated.	query	string
<b>SortDirection</b>		The sort direction— <b>Ascending</b> or <b>Descending</b> .	query	string
<b>SortField</b>		The sorted field.	query	string
<b>Skip</b>		Skips the input quantity of records.	query	integer
<b>Take</b>		Limits results to the input quantity.	query	integer
<b>X-DatabaseName</b>	✓	The company data folder name.	header	string
<b>X-Credentials</b>	✓	The user credentials token.	header	string
<b>X-DPPKey</b>	✓	The DPP license key for this API.	header	string

Response Class Data Node			/api/equipment/costcode (GET)
Attributes	Data type	Notes	
Cost_Code	string	The Equipment Cost cost code.	
Description	string		
Equipment	string	The equipment ID to which the cost code is assigned.	
Memo_Cost	true	Determines whether entries are sent to interfacing applications when the equipment transaction is not charged to a job.	
Unit_Description	string		

Licensing and User Permission Requirements			/api/equipment/costcode (GET)
DPP Licenses	Customer Licenses	User Permissions	
Equipment Lookups	Equipment API Lookups	APIs > Enter Time	

# Job Cost endpoints

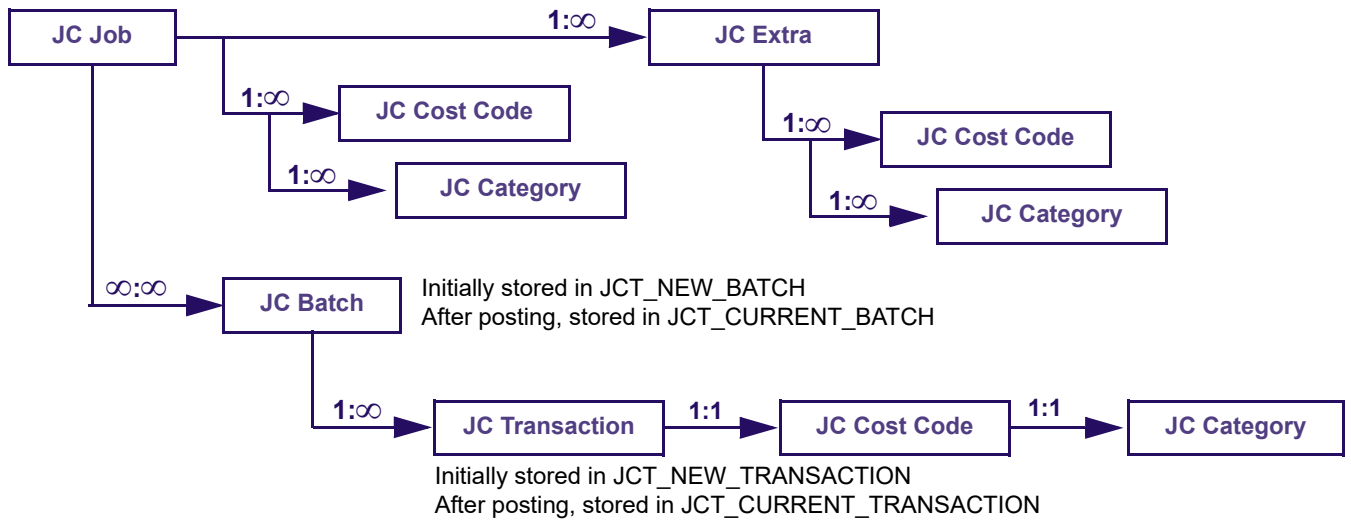
Job Cost (JC) lets users track transactions associated with jobs. They can set up JC cost codes, which are different from EQ cost codes. Multiple JC cost codes can be applied to each job. Users can opt to track categories associated with cost codes, but this is not required. If categories are used, they are set up to accumulate to one of five cost types: labor, material, equipment, other, and subcontract. (If categories are not used, cost codes accumulate to one of these cost types.) Multiple JC categories can be applied to each JC cost code.

Jobs can be associated with multiple extras (or sub-jobs). Each extra can have its own set of multiple cost codes and categories.

Transactions can be entered individually or in batches. A batch can contain many transactions coded to different jobs. Newly entered batches are stored in the JCT\_NEW\_BATCH record, which contains batch header information. After posting, batches are transferred to the JCT\_CURRENT\_BATCH record.

Each individual transaction is coded to a single job, cost code, and category. (They can also be associated with equipment IDs.) Newly entered transactions are stored in the JCT\_NEW\_TRANSACTION record. After posting, they are moved to the JCT\_CURRENT\_TRANSACTION record.

Use these endpoints to fetch the list of jobs and their associated extras, cost codes, and categories.



## /api/jobcost/extra (GET)

Gets the Job Cost extra items. Each column in the response list can be used as a **SortField** value.

Request Parameters			/api/jobcost/extra (GET)	
Parameter	Required	Description	Parameter type	Data type
<b>Job</b>	✓	The job with which the extra is associated. The job must be configured to work with extras.	query	string
<b>SortDirection</b>		The sort direction— <b>Ascending</b> or <b>Descending</b> .	query	string
<b>SortField</b>		The sorted field.	query	string
<b>Skip</b>		Skips the input quantity of records.	query	integer
<b>Take</b>		Limits results to the input quantity.	query	integer
<b>X-DatabaseName</b>	✓	The company data folder name.	header	string
<b>X-Credentials</b>	✓	The user credentials token.	header	string
<b>X-DPPKey</b>	✓	The DPP license key for this API.	header	string

Response Class Data Node			/api/jobcost/extra (GET)
Attributes	Data type	Notes	
City	string		
Description	string		
Extra	string		
Job	string		
State	string		
Status	string	The extra status: <b>U</b> (Unstarted), <b>I</b> (In progress), or <b>C</b> (Closed)	
ZIP_Code	string		

Licensing and User Permission Requirements			/api/jobcost/extra (GET)
DPP Licenses	Customer Licenses	User Permissions	
JobCost Lookups	Job Cost API Lookups	APIs > Enter Time	



## /api/transactions/batch (GET)

Gets the list of Job Cost batches in the JCT\_NEW\_BATCH file, or the named file specified if allowed.

Request Parameters			/api/transactions/batch (GET)	
Parameter	Required	Description	Parameter type	Data type
X-DatabaseName	✓	The company data folder name.	header	string
X-Credentials	✓	The user credentials token.	header	string
X-DPPKey	✓	The DPP license key for this API.	header	string
X-JCTNewFileName		The name of the JCT_NEW_BATCH file. Optionally used if named files are set up for Job Cost transaction files.	header	string

Response Class Data Node			/api/transactions/batch (GET)	
Attributes	Data type	Notes		
Amount	number			
AmountPosted	number			
ApplicationOfOrigin	string			
BatchDescription	string			
Batch	string			
CreditAmount	number			
CreditAmountPosted	number			
Date	string			
DebitAmount	number			
DebitAmountPosted	number			
Source	integer	See "Options for Source (integer) /api/transactions/batch (GET)" on page 16.		
SourceDescription	string			
TransactionCount	integer			
TransactionPostedCount	integer			

Options for Source (integer)			/api/transactions/batch (GET)	
Number	Code	Description		
1	Dist	Interface transaction		
2	EE	Enter estimates		
3	ECOR	Item 3		
4	ECO	Enter change order		
5	ES	Enter commitment		
6	ESCO	Enter commitment change order		
7	ECCO	Project Management enter commitment change order		

Options for Source (integer) (Continued)			/api/transactions/batch (GET)
Number	Code	Description	
8	FW	Enter miscellaneous worksheet	
9	ED	Enter direct costs	
10	EB	Enter billings	
11	EP	Enter cash receipts	
12	GO	Generate OH (Future)	
13	SJ	Job Setup (Future)	
14	ESTI	Import estimate	
15	RECI	Import Accounts Receivable	
16	ICMT	Import Commitment	
17	IDC	Import direct costs	
18	CJ	Copy job	
19	CE	Change entries	
20	CM	Change management	
21	CHGA	Change management activity	

Licensing and User Permission Requirements			/api/transactions/batch (GET)
DPP Licenses	Customer Licenses	User Permissions	
JobCost Lookups	Job Cost API Lookups	Job Cost > Post Entries	

## /api/transactions/post (POST)

Attempts to post the provided Job Cost batch entries from the JCT\_NEW\_TRANSACTION file, or the named file specified if allowed, to the JCT\_CURRENT\_TRANSACTION file, or to the named file specified if allowed.

Request parameters			api/transactions/post (POST)	
Parameter	Required	Description	Parameter type	Data type
requests	✓	The list of batches to post.	body	ApplicationOfOrigin (string) Batch (string) Source (0)
X-DatabaseName	✓	The company data folder name.	header	string
X-Credentials	✓	The user credentials token.	header	string
X-DPPKey	✓	The DPP license key for this API.	header	string
X-JCTNewFileName		The name of the New JCT file. Optionally used if named files are set up for Job Cost transaction files.	header	string
X-JCTCurrentFileName		The name of the New JCT file. Optionally used if named files are set up for Job Cost transaction files.	header	string

Response Class Data Node			/api/transactions/post (POST)	
Attributes	Data type	Notes		
ApplicationOfOrigin	string			
Batch	string			
Source	integer	See "Options for Source (integer) /api/transactions/batch (GET)" on page 16.		
PostError	string			
JournalPath	string			

Licensing and User Permission Requirements			/api/transactions/post (POST)	
DPP Licenses	Customer Licenses	User Permissions		
JobCost Lookups	Job Cost API Lookups	Job Cost > Post Entries		

## /api/jobcost/job (GET)

Gets Job Cost job items. Each column in the response list can be used as a **SortField** value.

Request Parameters			/api/jobcost/job (GET)	
Name	Required	Description	Parameter type	Data type
<b>SortDirection</b>		The sort direction— <b>Ascending</b> or <b>Descending</b> .	query	string
<b>SortField</b>		The sorted field.	query	string
<b>Skip</b>		Skips the input quantity of records.	query	integer
<b>Take</b>		Limits results to the input quantity.	query	integer
<b>X-DatabaseName</b>	✓	The company data folder name.	header	string
<b>X-Credentials</b>	✓	The user credentials token.	header	string
<b>X-DPPKey</b>	✓	The DPP license key for this API.	header	string

Response Class Data Node			/api/jobcost/job (GET)	
Attributes	Data type	Notes		
Billing_Level	string	Job Job level PHS1 Cost Code Level 1 PHS2 Cost Code Level 2 PHS3 Cost Code Level 3 PHS4 Cost Code Level 4		
Burden_Percent	number	Used in Payroll calculations.		
Certified_Project	string			
City	string			
Daily_Entry_Control	string			
Default_Revenue_Code	string			
Description	string			
Extras	string	Indicates whether the job is configured to track extras. The /api/jobcost/extra endpoint requires a job index for a job that is configured for extras. NTE Not Tracking extras TE Tracking extras		
Job	string			
On_Hold true	boolean			
Percent_Complete	number			
Project_Manager	string			
Scope_of_Work	string			
Site_Phone	string			
State	string			
Status	string	The job status: <b>U</b> (Unstarted), <b>I</b> (In progress), or <b>C</b> (Closed)		
Type	string			

Response Class Data Node (Continued)			/api/jobcost/job (GET)
Attributes	Data type	Notes	
Workers_Comp_Group	string		
Work_Local	string		
Work_State	string		
ZIP_Code	string		

Licensing and User Permission Requirements			/api/jobcost/job (GET)
DPP Licenses	Customer Licenses	User Permissions	
JobCost Lookups	Job Cost API Lookups	APIs > Enter Time	

## /api/jobcost/category (GET)

Gets the Job Cost category items. Each column in the response list can be used as a **SortField** value.

Request Parameters					/api/jobcost/category (GET)
Parameter	Required	Description	Parameter type	Data type	
<b>CostCode</b>		The Job Cost cost code with which the category is associated.	query	string	
<b>Extra</b>		The extra with which the category is associated.	query	string	
<b>Job</b>		The job with which the category is associated.	query	string	
<b>SortDirection</b>		The sort direction— <b>Ascending</b> or <b>Descending</b> .	query	string	
<b>SortField</b>		The sorted field.	query	string	
<b>Skip</b>		Skips the input quantity of records.	query	integer	
<b>Take</b>		Limits results to the input quantity.	query	integer	
<b>X-DatabaseName</b>	✓	The company data folder name.	header	string	
<b>X-Credentials</b>	✓	The user credentials token.	header	string	
<b>X-DPPKey</b>	✓	The DPP license key for this API.	header	string	

Response Class Data Node			/api/jobcost/category (GET)
Attributes	Data type	Notes	
Accumulate_As	string	If the user tracks categories, each category is accumulated into one of these cost types: LAB Labor MAT Material SUB Subcontract EQ Equipment OVH Overhead OTH Other	
Approved_Estimate_Changes	number		
Approved_Est_Unit_Changes	number		

Response Class Data Node (Continued)		/api/jobcost/category (GET)
Attributes	Data type	Notes
Category	string	
Cost_Code	string	
Description	string	
Extra	string	
Job	string	
JTD_Units	number	The number of job units completed to date.
Original_Estimate	number	
Pending_Estimate_Changes	number	
Pending_Est_Unit_Changes	number	
Status	string	The category status: <b>U</b> (Unstarted), <b>I</b> (In progress), or <b>C</b> (Closed)
Total_Estimate	number	
Total_Estimate_Units	number	

Licensing and User Permission Requirements			/api/jobcost/category (GET)
DPP Licenses	Customer Licenses	User Permissions	
JobCost Lookups	Job Cost API Lookups	APIs > Enter Time	

## /api/jobcost/costcode (GET)

Gets the Job Cost cost codes. Each column in the response list can be used as a **SortField** value.

Request Parameters				/api/jobcost/costcode (GET)
Parameter	Required	Description	Parameter type	Data type
<b>Job</b>		The job with which the category is associated.	query	string
<b>Extra</b>		The extra with which the category is associated.	query	string
<b>SortDirection</b>		The sort direction— <b>Ascending</b> or <b>Descending</b> .	query	string
<b>SortField</b>		The sorted field.	query	string
<b>Skip</b>		Skips the input quantity of records.	query	integer
<b>Take</b>		Limits results to the input quantity.	query	integer
<b>X-DatabaseName</b>	✓	The company data folder name.	header	string
<b>X-Credentials</b>	✓	The user credentials token.	header	string
<b>X-DPPKey</b>	✓	The DPP license key for this API.	header	string

Response Class Data Node		/api/jobcost/costcode (GET)
Attributes	Data type	Notes
Accumulate_As	string	If the user does not track categories, each cost code is accumulated into one of these cost types: LAB Labor MAT Material SUB Subcontract EQ Equipment OVH Overhead OTH Other
Cost_Code	string	
Description	string	
Extra	string	
Group_Cost_Code	boolean	
Job	string	
JTD_Aprvd_Estimate_Chgs	number	
JTD_Labor_Cost	number	
JTD_Labor_Units	number	
JTD_Production_Units	number	
Original_Estimate	number	
Original_Estimate	number	
Orig_Production_Units_Est	number	
Revised_Prodctn_Units_Est	number	
Status	string	
Total_Estimate	number	

Licensing and User Permission Requirements		/api/jobcost/costcode (GET)
DPP Licenses	Customer Licenses	User Permissions
JobCost Lookups	Job Cost API Lookups	APIs > Enter Time



# Payroll endpoints



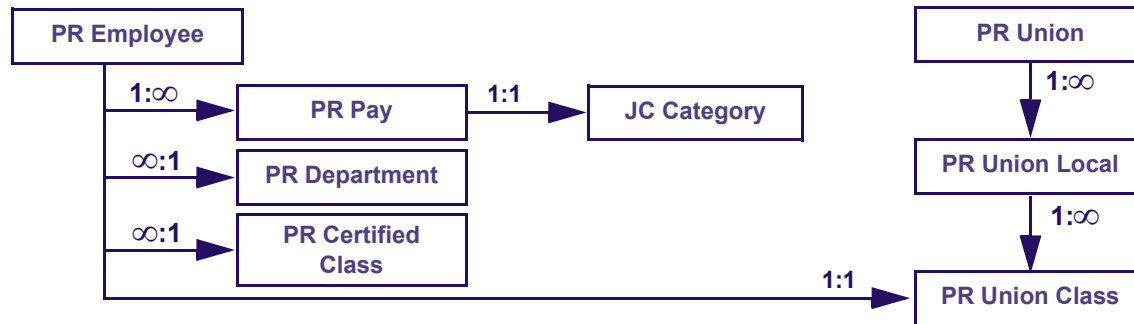
**NOTE:** In order to use interfacing applications that work with the Payroll endpoints, the customer must have licenses for one of the following: Payroll, Payroll Enter Time, or API Lookups. The customer's service plan must be active in order for the API Lookups to function properly.

Payroll (PR) lets users process payroll for their employees. (Subcontractor payments are issued through Accounts Payable). Employees are set up in Payroll, along with "pays," or types of payroll payment methods. For example, different pays are required for salaried vs. hourly employees. Pays are assigned to a Job Cost category.

Employees can be assigned multiple pays. Users can also set up departments and assign employees to them—as well as certified classes (used for certified reporting as required by certain government jobs).

Users whose employees work with unions can set up unions, union locals (individual union chapters), and union classes (employee classifications based on experience, such as foreman, journeyman, and so on). Each union local has their own union class. Each employee can be assigned to a single union, local, and class.

To process payroll for hourly employees, users create time entry transactions and post them. Use the Payroll endpoints to fetch the list of employees, departments, pays, and unions, as well as to post time entries.



## /api/payroll/pay (GET)

Gets the Payroll pay items. Each column in the response list can be used as a **SortField** value.

Request Parameters			/api/payroll/pay (GET)	
Parameter	Required	Description	Parameter type	Data type
SortDirection		The sort direction— <b>Ascending</b> or <b>Descending</b> .	query	string
SortField		The sorted field.	query	string
Skip		Skips the input quantity of records.	query	integer
Take		Limits results to the input quantity.	query	integer
X-DatabaseName	✓	The company data folder name.	header	string
X-Credentials	✓	The user credentials token.	header	string
X-DPPKey	✓	The DPP license key for this API.	header	string

Response Class Data Node			/api/payroll/pay (GET)
Attributes	Data type	Notes	
Description	string		
JC_Category	string	Pays are assigned a single Job Cost category (if categories are tracked).	
Pay_ID	string		
Pay_Type	string		
Salary	boolean		

Licensing and User Permission Requirements			/api/payroll/pay (GET)
DPP Licenses	Customer Licenses	User Permissions	
Payroll Lookups	Payroll API Lookups	API's > Enter Time	

## /api/payroll/employee (GET)

Gets the Payroll employee list. Each column in the response list can be used as a **SortField** value.

Request Parameters				/api/payroll/employee (GET)
Parameter	Required	Description	Parameter type	Data type
<b>PREmployeeStatus</b>		The PR employee status.	query	string
<b>SortDirection</b>		The sort direction— <b>Ascending</b> or <b>Descending</b> .	query	string
<b>SortField</b>		The sorted field.	query	string
<b>Skip</b>		Skips the input quantity of records.	query	integer
<b>Take</b>		Limits results to the input quantity.	query	integer
<b>X-DatabaseName</b>	✓	The company data folder name.	header	string
<b>X-Credentials</b>	✓	The user credentials token.	header	string
<b>X-DPPKey</b>	✓	The DPP license key for this API.	header	string

Response Class Data Node			/api/payroll/employee (GET)
Attributes	Data type	Notes	
Certified_Class	string	Used for certified reporting, as required by some government jobs.	
Department	string		
Employee	string		
Employee_Name	string		
Equipment	string	Employees can be associated with pieces of equipment they operate.	
EQ_Cost_Code	string		
JC_Cost_Code	string		
Job	string		
Pay_Group	string		

Response Class Data Node (Continued)		/api/payroll/employee (GET)
Attributes	Data type	Notes
Pay_ID	string	
Rehire_Date	string	
Resident_State	string	
SM_Employee	boolean	Employees can be linked to employees in the Service Management module.
Termination_Date	string	
Union_Class	string	
Union_ID	string	
Union_Local	string	
Use_Employee_Work_State	boolean	
WC_Code	string	
Workers_Comp_State	string	
Work_State	string	
Zip_Code	string	

Licensing and User Permission Requirements			/api/payroll/employee (GET)
DPP Licenses	Customer Licenses	User Permissions	
Payroll Lookups	Payroll API Lookups	APIs > Enter Time	

## /api/payroll/time/submit (POST)

Submits extended COSA Timesheet. This endpoint accepts and returns JavaScript Object Notation (JSON) formatted objects using the Construction Open Standards Alliance (COSA) schema where available.

Request Parameters			/api/payroll/time/submit (POST)	
Parameter	Required	Description	Parameter type	Data type
<b>timeSheet</b>	✓	The PR timesheet payload. For the data model, see the next table.	body	See next table.
<b>X-DatabaseName</b>	✓	The company data folder name.	header	string
<b>X-PRSFileName</b>	✓	The name of the PRS file. Must be entered if named files are enabled for PRS files.	header	string
<b>X-PRMFileName</b>	✓	The name of the PRM file. Must be entered if named files are enabled for PRM files.	header	string
<b>X-PRTNewFileName</b>	✓	The name of the New PRT file. Must be entered if named files are on for PRT files.	header	string
<b>X-Credentials</b>	✓	The user credentials token.	header	string
<b>X-DPPKey</b>	✓	The DPP license key for this API.	header	string

Response Class Data Node		/api/payroll/time/submit (POST)
TimeSheet Schema	Notes	
Company (string) BatchId (string) Sheet (list): Date (string) Shift (string) Start (string) End (string) Project (list): id (string) ProjectId (string) Name (string) Description (string) Employee (list): id (string) ref (string) FamilyName (string) GivenName (string) MiddleNames (string) PrefixTitles (string) SuffixTitles (string) PostalAddress (list): AddressLine1 (string) AddressLine2 (string) Town (string) Region (string) PostalCode (integer) Country (string) TelecomAddress (list): Telephone (string) Facsimile (string) Email (string)		

Response Class Data Node (Continued)		/api/payroll/time/submit (POST)
TimeSheet Schema	Notes	
Hierarchy (list): Levels (list): Id (string) At (number), Text (string) Type (string) Notes (string) Payroll (list): PayPeriodEndDate (string) Expense (list): Code (string) Currency (string) Notes (string) text (string) Entries (list): LaborActivityId (string) Hours (list): Description (string) Type (string) text (string) Units (0), HoursExt (list): Amount (0), CertClass (string) Department (string) Misc1 (string) Misc2 (string) Start (string) End (string) Shift (string) WCCode (string) WCState (string) State (string) Rate (0) Locality (string) DebitAccount (string) Union (string) UnionLocal (string) UnionClass (string) Category (string) Equipment (list): ID (string) CostCode (string) Validation (list): Processed (true), ErrorMessages (string array)		

Licensing and User Permission Requirements			/api/payroll/time/submit (POST)
DPP Licenses	Customer Licenses	User Permissions	
Payroll Time Entry	Payroll Time Entry	APIs > Enter Time	

## /api/payroll/unionclass (GET)

Gets the Payroll union classes. Each column in the response list can be used as a **SortField**.

Request Parameters			/api/payroll/unionclass (GET)	
Parameter	Required	Description	Parameter type	Data type
Union_ID		The PR union ID	query	string
SortDirection		The sort direction— <b>Ascending</b> or <b>Descending</b> .	query	string
SortField		The sorted field.	query	string
Skip		Skips the input quantity of records.	query	integer
Take		Limits results to the input quantity.	query	integer
X-DatabaseName	✓	The company data folder name.	header	string
X-Credentials	✓	The user credentials token.	header	string
X-DPPKey	✓	The DPP license key for this API.	header	string

Response Class Data Node			/api/payroll/unionclass (GET)
Attributes	Data type	Notes	
Union_Class	string		
Union_Class_Description	string		
Union_ID	string		
Union_Local	string		

Licensing and User Permission Requirements			/api/payroll/unionclass (GET)
DPP Licenses	Customer Licenses	User Permissions	
Payroll Lookups	Payroll API Lookups	APIs > Enter Time	

## /api/payroll/union (GET)

Gets a list of the Payroll unions. Each column in the response list can be used as a **SortField** value.

Request Parameters			/api/payroll/union (GET)	
Parameter	Required	Description	Parameter type	Data type
SortDirection		The sort direction— <b>Ascending</b> or <b>Descending</b> .	query	string
SortField		The sorted field.	query	string
Skip		Skips the input quantity of records.	query	integer
Take		Limits results to the input quantity.	query	integer
X-DatabaseName	✓	The company data folder name.	header	string
X-Credentials	✓	The user credentials token.	header	string
X-DPPKey	✓	The DPP license key for this API.	header	string

Response Class Data Node			/api/payroll/union (GET)
Attributes	Data type	Notes	
Address_1	string		
Address_2	string		
City	string		
Contact_FAX_Number	string		
Contact_Name	string		
Contact_Phone_Number	string		
State	string		
Union_Description	string		
Union_ID	string		
Zip_Code	string		

Licensing and User Permission Requirements			/api/payroll/union (GET)
DPP Licenses	Customer Licenses	User Permissions	
Payroll Lookups	Payroll API Lookups	APIs > Enter Time	

## /api/payroll/unionlocal (GET)

Gets Payroll union locals. Each column in the response list can be used as a **SortField** value.

Request Parameters				/api/payroll/unionlocal (GET)
Parameter	Required		Parameter type	Data type
<b>Union_ID</b>		The union identifier.	query	string
<b>SortDirection</b>		The sort direction— <b>Ascending</b> or <b>Descending</b> .	query	string
<b>SortField</b>		The sorted field.	query	string
<b>Skip</b>		Skips the input quantity of records.	query	integer
<b>Take</b>		Limits results to the input quantity.	query	integer
<b>X-DatabaseName</b>	✓	The company data folder name.	header	string
<b>X-Credentials</b>	✓	The user credentials token.	header	string
<b>X-DPPKey</b>	✓	The DPP license key for this API.	header	string

Response Class Data Node			/api/payroll/unionlocal (GET)
Attributes	Data Type	Notes	
Address_1	string		
Address_2	string		
City	string		



Response Class Data Node (Continued)		/api/payroll/unionlocal (GET)
Attributes	Data Type	Notes
Contact_FAX_Number	string	
Contact_Name	string	
Contact_Phone_Number	string	
Effective_Date	string	
Good_Thru_Date	string	
State	string	
Union_ID	string	
Union_Local	string	
Union_Local_Description	string	
Zip_Code	string	

Licensing and User Permission Requirements		/api/payroll/unionlocal (GET)
DPP Licenses	Customer Licenses	User Permissions
Payroll Lookups	Payroll API Lookups	APIs > Enter Time

## /api/payroll/department (GET)

Gets the list of Payroll departments. Each column in the response list can be used as a **SortField** value.

Request Parameters			/api/payroll/department (GET)	
Parameter	Required		Parameter type	Data type
<b>SortDirection</b>		The sort direction— <b>Ascending</b> or <b>Descending</b> .	query	string
<b>SortField</b>		The sorted field.	query	string
<b>Skip</b>		Skips the input quantity of records.	query	integer
<b>Take</b>		Limits results to the input quantity.	query	integer
<b>X-DatabaseName</b>	✓	The company data folder name.	header	string
<b>X-Credentials</b>	✓	The user credentials token.	header	string
<b>X-DPPKey</b>	✓	The DPP license key for this API.	header	string

Response Class Data Node			/api/payroll/department (GET)
Attributes	Data type	Notes	
Department	string		
Department_Name	string		

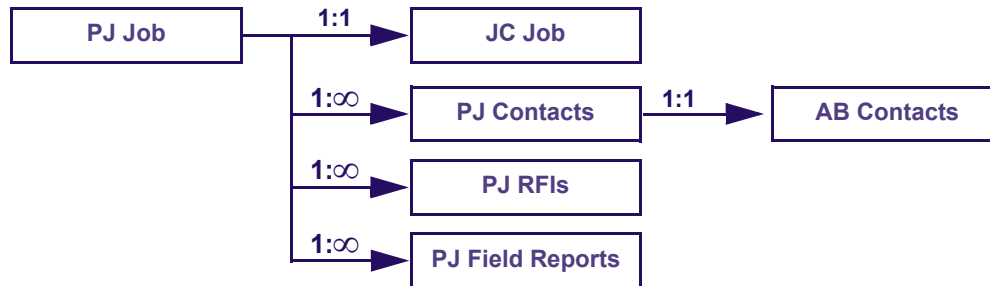
Licensing and User Permission Requirements			/api/payroll/department (GET)
DPP Licenses	Customer Licenses	User Permissions	
Payroll Lookups	Payroll API Lookups	API's > Enter Time	

# Project Management endpoints

Project Management (PJ) works together with Job Cost to track field operations and project documentation. Project Management jobs can be set up during the estimating process, before an organization wins the bid and before the budget is entered in Job Cost. In this early stage the project is used to track contacts and communications with the design team, such as RFIs (see “Project Management RFI endpoints” on page 60).

During construction, daily field reports are entered in Project Management (see “Project Management field report endpoints” on page 33).

Contacts added to a job are pulled from Address Book contacts (person or company).



## /api/jobs/contacts (GET)

Gets the list of job contacts for a Project Management job index. Each column in the response list can be used as a **SortField** value.

Request Parameters			/api/jobs/contacts (GET)	
Parameter	Required		Parameter type	Data type
<b>pjJob</b>	✓	The sort direction— <b>Ascending</b> or <b>Descending</b> .	query	string
<b>X-DatabaseName</b>	✓	The company data folder name.	header	string
<b>X-Credentials</b>	✓	The user credentials token.	header	string
<b>X-DPPKey</b>	✓	The DPP license key for this API.	header	string

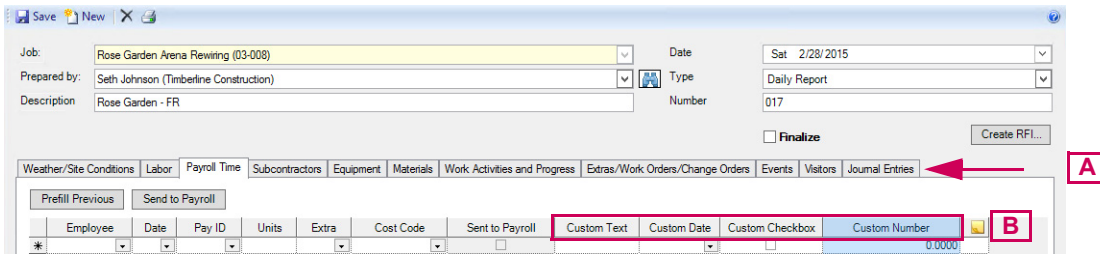
Response Class Data Node		/api/jobs/contacts (GET)
Attributes	Notes	
PjJobIndex (integer) JobContacts (list): ContactId (string) ContactName (string) Type (string)	The <b>Type</b> of contact indicates whether the contact is a person or a company stored in Address Book.	
The response class includes the <b>Errors</b> , <b>Meta</b> , and <b>Success</b> nodes described on page 3.		

Licensing and User Permission Requirements			/api/jobs/contacts (GET)
DPP Licenses	Customer Licenses	User Permissions	
DPPPProjectManagementFieldReportsEntry	Project Management API Lookups	Mobile Projects > Field Reports	

# Project Management field report endpoints

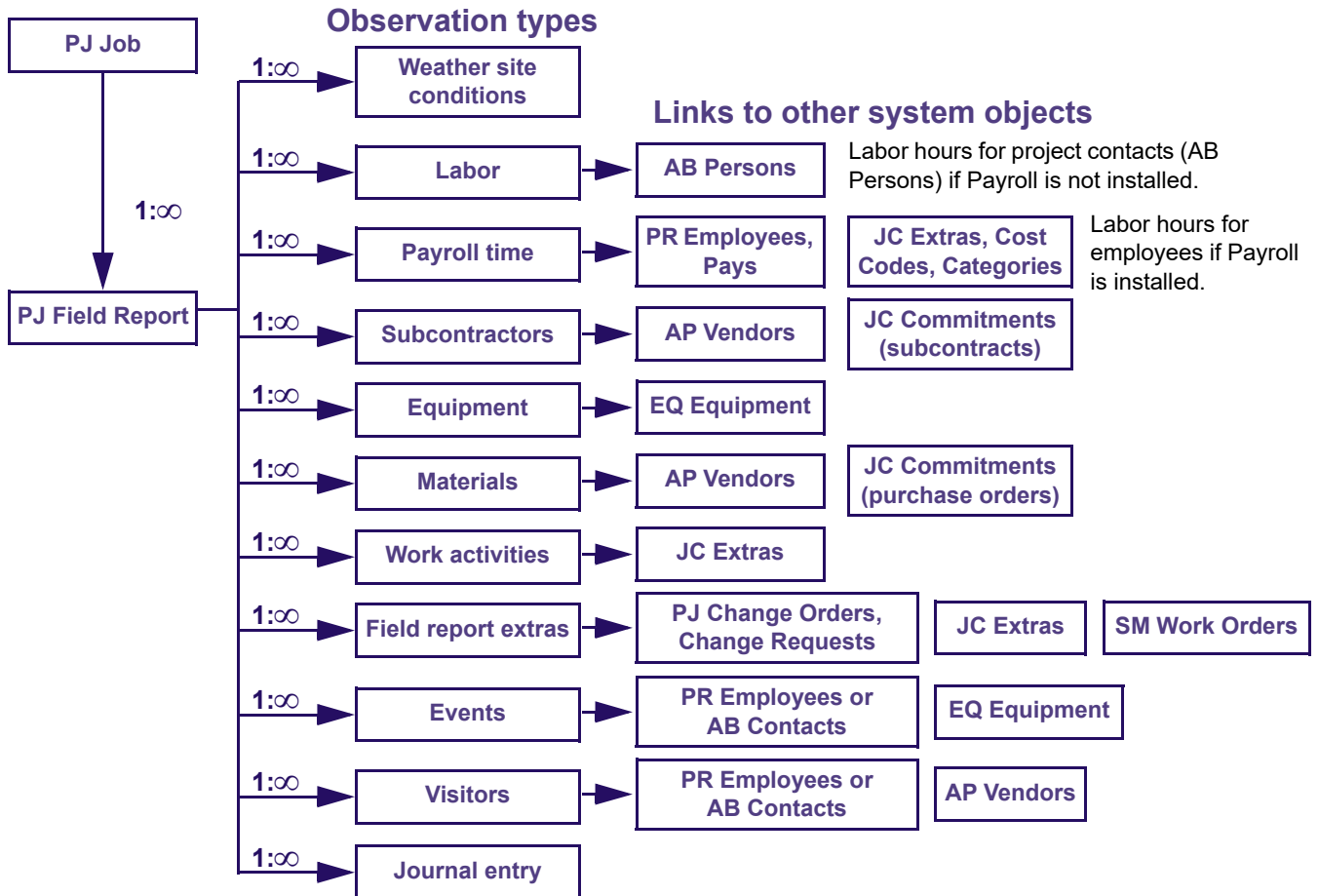
Construction supervisors are expected to keep detailed notes on all aspects of jobsite activity in the form of daily reports, or field reports. Project Management (PJ) lets users enter field reports with structured information (organized in tabs [A]) about work activities, employee and subcontractor time worked, material deliveries, jobsite events such as accidents or injuries, and more.

Several of the tabs have custom fields [B], which can be modified in **Custom Descriptions**.



Field report entries are linked to relevant data types throughout the system (as shown in the graphic below), and can generate transactions in Job Cost, Accounts Payable, Payroll, Contracts, Billing, and General Ledger. For example, information on the **Payroll Time** tab can be sent to Payroll as time entries.

Collectively these entries are known as observations. Three endpoints are provided for each observation type: fetch (GET), save (POST), and delete (POST).



## Response class for field report observation POST endpoints

The response classes for the field report observation save (POST) and delete (POST) endpoints are identical, and are shown here.

Save (POST) responses classes		
Attributes	Data type	Notes
DateTimeStamp	string	
Index	integer	
Relationships	object	
The response class includes the <b>Errors</b> , <b>Meta</b> , and <b>Success</b> nodes.		

Delete (POST) response classes		
Attributes	Data type	Notes
Index	integer	
The response class includes the <b>Errors</b> , <b>Meta</b> , and <b>Success</b> nodes.		

## /api/fieldreports/extra/{extraIndex} (GET)

Gets the extra observation with the given index.

Request Parameters		/api/fieldreports/extra/{extraindex} (GET)		
Parameter	Required		Parameter type	Data type
<b>extraIndex</b>	✓	The extra observation index to find.	path	long
<b>X-DatabaseName</b>	✓	The company data folder name.	header	string
<b>X-Credentials</b>	✓	The user credentials token.	header	string
<b>X-DPPKey</b>	✓	The DPP license key for this API.	header	string

Response Class Data Node		/api/fieldreports/extra/{extraindex} (GET)	
Attributes		Notes	
CustomDate (string) CustomNumber (number) CustomText (string) Description (string) ExtraType (string) IdentificationNumber (string) IsCustomChecked (boolean) Notes (string) Subcontractor (string) FieldReportDateTimeStamp (string) FieldReportIndex (integer) Index (integer)		<ul style="list-style-type: none"> <li>The <b>ExtraType</b> is one of the following:  <b>Change Order</b>  <b>Change Request</b>  <b>Extra</b>  <b>Work Order</b></li> <li>The <b>Subcontractor</b> returns an Address Book company contact ID.</li> </ul>	
The response class includes the <b>Errors</b> , <b>Meta</b> , and <b>Success</b> nodes.			

Licensing and User Permission Requirements		/api/fieldreports/extra/{extraindex} (GET)	
DPP Licenses	Customer Licenses	User Permissions	
DPPProjectManagementFieldReportsEntry	Project Management API Lookups	Mobile Projects > Field Reports	

## /api/fieldreports/extra/save (POST)

Saves a field report extra observation (creates new or updates existing). See “Response class for field report observation POST endpoints” on page 34.

Request Parameters			/api/fieldreports/extra/save (POST)	
Parameter	Required		Parameter type	Data type
extraSaveRequestDto	✓	The save request.	body	See response class for (GET)
X-DatabaseName	✓	The company data folder name.	header	string
X-Credentials	✓	The user credentials token.	header	string
X-DPPKey	✓	The DPP license key for this API.	header	string

Licensing and User Permission Requirements		/api/fieldreports/extra/save (POST)	
DPP Licenses	Customer Licenses	User Permissions	
DPPProjectManagementFieldReportsEntry	Project Management API Lookups	Mobile Projects > Field Reports	

## /api/fieldreports/extra/delete (POST)

Deletes the specified field report extra observation. See “Response class for field report observation POST endpoints” on page 34.

Request Parameters			/api/fieldreports/extra/delete (POST)	
Parameter	Required	Description	Parameter type	Data type
deleteRequestDto	✓		body	DateTimeStamp (string) Index (integer)
X-DatabaseName	✓	The company data folder name.	header	string
X-Credentials	✓	The user credentials token.	header	string
X-DPPKey	✓	The DPP license key for this API.	header	string

Licensing and User Permission Requirements		/api/fieldreports/extra/delete (POST)	
DPP Licenses	Customer Licenses	User Permissions	
DPPProjectManagementFieldReportsEntry	Project Management API Lookups	Mobile Projects > Field Reports	

## /api/fieldreports/equipment/{equipmentIndex} (GET)

Gets the equipment observation with the given index.

Request Parameters		/api/fieldreports/equipment/{equipmentIndex} (GET)		
Parameter	Required		Parameter type	Data type
equipmentIndex	✓	The equipment observation index to find.	path	long
X-DatabaseName	✓	The company data folder name.	header	string
X-Credentials	✓	The user credentials token.	header	string
X-DPPKey	✓	The DPP license key for this API.	header	string

Response Class Data Node		/api/fieldreports/equipment/{equipmentIndex} (GET)
Attributes	Notes	
ActiveHours (number) CustomDate (string) CustomNumber (number) CustomText (string) Description (string) Equipment (string) IdleHours (number) IsCustomChecked (boolean) Notes (string) OwnershipOrRental (string) Reading (number) ReadingUnitOfMeasure (string) RentingParty (string) FieldReportDateTimeStamp (string) FieldReportIndex (integer) Index (integer)	The attributes starting with "Custom" can be modified in <b>Custom Descriptions</b> .	
The response class includes the <b>Errors</b> , <b>Meta</b> , and <b>Success</b> nodes.		

Licensing and User Permission Requirements			/api/fieldreports/equipment/{equipmentIndex} (GET)
DPP Licenses	Customer Licenses	User Permissions	
DPPProjectManagementFieldReportsEntry	Project Management API Lookups	Mobile Projects > Field Reports	

## /api/fieldreports/equipment/save (POST)

Saves a field report equipment observation (creates new or updates existing). See “Response class for field report observation POST endpoints” on page 34.

Request Parameters		/api/fieldreports/equipment/save (POST)		
Parameter	Required		Parameter type	Data type
<b>equipmentObservation</b>	✓	The save request.	body	See response class for (GET)
<b>X-DatabaseName</b>	✓	The company data folder name.	header	string
<b>X-Credentials</b>	✓	The user credentials token.	header	string
<b>X-DPPKey</b>	✓	The DPP license key for this API.	header	string

Licensing and User Permission Requirements			/api/fieldreports/equipment/save (POST)
DPP Licenses	Customer Licenses	User Permissions	
DPPProjectManagementFieldReportsEntry	Project Management API Lookups	Mobile Projects > Field Reports	

## /api/fieldreports/equipment/delete (POST)

Deletes the specified field report equipment observation. See “Response class for field report observation POST endpoints” on page 34.

Request Parameters		/api/fieldreports/equipment/delete (POST)		
Parameter	Required		Parameter type	Data type
<b>deleteRequestDto</b>	✓	The delete request.	body	DateTimeStamp (string) Index (integer)
<b>X-DatabaseName</b>	✓	The company data folder name.	header	string
<b>X-Credentials</b>	✓	The user credentials token.	header	string
<b>X-DPPKey</b>	✓	The DPP license key for this API.	header	string

Licensing and User Permission Requirements			/api/fieldreports/equipment/delete (POST)
DPP Licenses	Customer Licenses	User Permissions	
DPPProjectManagementFieldReportsEntry	Project Management API Lookups	Mobile Projects > Field Reports	



## /api/fieldreports/subcontractor/{subcontractorIndex} (GET)

Gets the subcontractor observation with the given index.

Request Parameters		/api/fieldreports/subcontractor/{subcontractorIndex} (GET)		
Parameter	Required		Parameter type	Data type
<b>subcontractorIndex</b>	✓	The subcontractor observation index to find.	path	long
<b>X-DatabaseName</b>	✓	The company data folder name.	header	string
<b>X-Credentials</b>	✓	The user credentials token.	header	string
<b>X-DPPKey</b>	✓	The DPP license key for this API.	header	string

Response Class Data Node		/api/fieldreports/subcontractor/{subcontractorIndex} (GET)	
Attributes		Notes	
CustomDate (string) CustomNumber (number) CustomText (string) HoursWorked (list): Classification (string) HeadCount (integer) HoursWorked (number) SubcontractorHoursWorkedIndex (integer) IsCustomChecked (boolean) Notes (string) SubcontractorContact (string) Trade (string) FieldReportDateTimeStamp (string) FieldReportIndex (integer) Index (integer)		<ul style="list-style-type: none"> <li>The attributes starting with “Custom” can be modified in <b>Custom Descriptions</b>.</li> <li>The <b>SubcontractorContact</b> returns an Address Book person contact ID.</li> </ul>	
The response class includes the <b>Errors</b> , <b>Meta</b> , and <b>Success</b> nodes.			

Licensing and User Permission Requirements			/api/fieldreports/subcontractor/{subcontractorIndex} (GET)		
DPP Licenses		Customer Licenses		User Permissions	
DPPProjectManagementFieldReportsEntry		Project Management API Lookups		Mobile Projects > Field Reports	

## /api/fieldreports/subcontractor/save (POST)

Saves a field report subcontractor observation (creates new or updates existing). See “Response class for field report observation POST endpoints” on page 34.

Request Parameters		/api/fieldreports/subcontractor/save (POST)		
Parameter	Required		Parameter type	Data type
<b>subcontractorSave</b>	✓	The save request.	body	See response class for (GET)
<b>X-DatabaseName</b>	✓	The company data folder name.	header	string
<b>X-Credentials</b>	✓	The user credentials token.	header	string
<b>X-DPPKey</b>	✓	The DPP license key for this API.	header	string

Licensing and User Permission Requirements			/api/fieldreports/subcontractor/save (POST)
DPP Licenses	Customer Licenses	User Permissions	
DPPProjectManagementFieldReportsEntry	Project Management API Lookups	Mobile Projects > Field Reports	

## /api/fieldreports/subcontractor/delete (POST)

Deletes the specified field report subcontractor observation. See “Response class for field report observation POST endpoints” on page 34.

Request Parameters		/api/fieldreports/subcontractor/delete (POST)		
Parameter	Required		Parameter type	Data type
<b>deleteRequestDto</b>	✓	The delete request.	body	DateTimeStamp (string) Index (integer)
<b>X-DatabaseName</b>	✓	The company data folder name.	header	string
<b>X-Credentials</b>	✓	The user credentials token.	header	string
<b>X-DPPKey</b>	✓	The DPP license key for this API.	header	string

Licensing and User Permission Requirements			/api/fieldreports/subcontractor/delete (POST)
DPP Licenses	Customer Licenses	User Permissions	
DPPProjectManagementFieldReportsEntry	Project Management API Lookups	Mobile Projects > Field Reports	

## /api/fieldreports/visitor/{visitorIndex} (GET)

Gets the visitor observation with the given index.

Request Parameters		/api/fieldreports/visitor/{visitorIndex} (GET)		
Parameter	Required		Parameter type	Data type
visitorIndex	✓	The visitor observation index to find.	path	long
X-DatabaseName	✓	The company data folder name.	header	string
X-Credentials	✓	The user credentials token.	header	string
X-DPPKey	✓	The DPP license key for this API.	header	string

Response Class Data Node		/api/fieldreports/visitor/{visitorIndex} (GET)	
Attributes	Notes		
ArrivalTime (string) CustomDate (string) CustomNumber (number) CustomText (string) DepartureTime (string) InternalFollowUp (string) IsCustomChecked (boolean) Notes (string) PersonVisited (string) VisitingCompany (string) Visitors (string) FieldReportDateTimeStamp (string) FieldReportIndex (integer) Index (integer)	<ul style="list-style-type: none"> <li>The attributes starting with “Custom” can be modified in <b>Custom Descriptions</b>.</li> <li>The <b>InternalFollowUp</b> and <b>PersonVisited</b> attributes return an Address Book person contact ID.</li> <li>The <b>VisitingCompany</b> attribute returns an Address Book company contact ID.</li> </ul>		
The response class includes the <b>Errors</b> , <b>Meta</b> , and <b>Success</b> nodes.			

Licensing and User Permission Requirements			/api/fieldreports/visitor/{visitorIndex} (GET)
DPP Licenses	Customer Licenses	User Permissions	
DPPProjectManagementFieldReportsEntry	Project Management API Lookups	Mobile Projects > Field Reports	

## /api/fieldreports/visitor/save (POST)

Saves a field report observation observation (creates new or updates existing). See "Response class for field report observation POST endpoints" on page 34.

Request Parameters		/api/fieldreports/visitor/save (POST)		
Parameter	Required		Parameter type	Data type
visitorSaveRequestDto	✓	The save request.	body	See response class for (GET)
X-DatabaseName	✓	The company data folder name.	header	string
X-Credentials	✓	The user credentials token.	header	string
X-DPPKey	✓	The DPP license key for this API.	header	string

Licensing and User Permission Requirements			/api/fieldreports/visitor/save (POST)
DPP Licenses	Customer Licenses	User Permissions	
DPPProjectManagementFieldReportsEntry	Project Management API Lookups	Mobile Projects > Field Reports	

## /api/fieldreports/visitor/delete (POST)

Deletes the specified field report visitor observation.

Request Parameters		/api/fieldreports/visitor/delete (POST)		
Parameter	Required		Parameter type	Data type
deleteRequestDto	✓	The delete request.	body	DateTimeStamp (string) Index (integer)
X-DatabaseName	✓	The company data folder name.	header	string
X-Credentials	✓	The user credentials token.	header	string
X-DPPKey	✓	The DPP license key for this API.	header	string

Licensing and User Permission Requirements			/api/fieldreports/visitor/delete (POST)
DPP Licenses	Customer Licenses	User Permissions	
DPPProjectManagementFieldReportsEntry	Project Management API Lookups	Mobile Projects > Field Reports	

## /api/fieldreports/workactivities/{workactivitiesIndex} (GET)

Gets the workactivities observation with the given index.

Request Parameters		/api/fieldreports/workactivities/{workactivitiesIndex} (GET)		
Parameter	Required		Parameter type	Data type
<b>workActivitiesIndex</b>	✓	The work activities observation index to find	path	long
<b>X-DatabaseName</b>	✓	The company data folder name.	header	string
<b>X-Credentials</b>	✓	The user credentials token.	header	string
<b>X-DPPKey</b>	✓	The DPP license key for this API.	header	string

Response Class Data Node		/api/fieldreports/workactivities/{workactivitiesIndex} (GET)	
Attributes	Notes		
Category (string) CostCode (string) CurrentPercentComplete (number) CurrentProductionUnitsInPlace (number) CustomDate (string) CustomNumber (number) CustomText (string) Description (string) EndDate (string) Extra (string) IsCustomChecked (boolean) Notes (string) PercentComplete (number) ProductionUnitsInPlace (number) ResponsibleCompany (string) StartDate (string) FieldReportDateTimeStamp (string) FieldReportIndex (integer) Index (integer)	<ul style="list-style-type: none"> <li>The attributes starting with “Custom” can be modified in <b>Custom Descriptions</b>.</li> <li>The <b>ResponsibleCompany</b> returns an Address Book company contact ID.</li> </ul>		
The response class includes the <b>Errors</b> , <b>Meta</b> , and <b>Success</b> nodes.			

Licensing and User Permission Requirements			/api/fieldreports/workactivities/{workactivitiesIndex} (GET)	
DPP Licenses	Customer Licenses	User Permissions		
DPPProjectManagementFieldReportsEntry	Project Management API Lookups	Mobile Projects > Field Reports		

## /api/fieldreports/workactivities/save (POST)

Saves a field report work activities observation (creates new or updates existing). See “Response class for field report observation POST endpoints” on page 34.

Request Parameters		/api/fieldreports/workactivities/save (POST)		
Parameter	Required		Parameter type	Data type
workActivitiesSaveRequestDto	✓	The save request.	body	See response class for (GET)
X-DatabaseName	✓	The company data folder name.	header	string
X-Credentials	✓	The user credentials token.	header	string
X-DPPKey	✓	The DPP license key for this API.	header	string

Licensing and User Permission Requirements			/api/fieldreports/workactivities/save (POST)
DPP Licenses	Customer Licenses	User Permissions	
DPPProjectManagementFieldReportsEntry	Project Management API Lookups	Mobile Projects > Field Reports	

## /api/fieldreports/workactivities/delete (POST)

Deletes the specified field report work activities observation. See “Response class for field report observation POST endpoints” on page 34.

Request Parameters		/api/fieldreports/workactivities/delete (POST)		
Parameter	Required		Parameter type	Data type
deleteRequestDto	✓	The delete request.	body	DateTimeStamp (string) Index (integer)
X-DatabaseName	✓	The company data folder name.	header	string
X-Credentials	✓	The user credentials token.	header	string
X-DPPKey	✓	The DPP license key for this API.	header	string

Licensing and User Permission Requirements			/api/fieldreports/workactivities/delete (POST)
DPP Licenses	Customer Licenses	User Permissions	
DPPProjectManagementFieldReportsEntry	Project Management API Lookups	Mobile Projects > Field Reports	

## /api/fieldreports/payrolltime/{payrolltimeIndex} (GET)

Gets the Payroll time observation with the given index.

Request Parameters		/api/fieldreports/payrolltime/{payrolltimeIndex} (GET)		
Parameter	Required		Parameter type	Data type
payrollTimeIndex	✓	The payroll time observation index to find.	path	long
X-DatabaseName	✓	The company data folder name.	header	string
X-Credentials	✓	The user credentials token.	header	string
X-DPPKey	✓	The DPP license key for this API.	header	string

Response Class Data Node		/api/fieldreports/payrolltime/{payrolltimeIndex} (GET)	
Attributes		Notes	
AppOfOriginBatch (string) CostCode (string) CustomDate (string) CustomNumber (number) CustomText (string) Date (string) Employee (string) Extra (string) IsCustomChecked (boolean) Notes (string) PayId (string) UnitsOfWork (number) FieldReportDateTimeStamp (string) FieldReportIndex (integer) Index (integer)		<ul style="list-style-type: none"> <li>The attributes starting with “Custom” can be modified in <b>Custom Descriptions</b>.</li> <li>The <b>Extra</b> attribute references the Job Cost extra, not the field report extra.</li> </ul>	
The response class includes the <b>Errors</b> , <b>Meta</b> , and <b>Success</b> nodes.			

Licensing and User Permission Requirements			/api/fieldreports/payrolltime/{payrolltimeIndex} (GET)		
DPP Licenses		Customer Licenses		User Permissions	
DPPProjectManagementFieldReportsEntry		Project Management API Lookups		Mobile Projects > Field Reports	

## /api/fieldreports/payrolltime/save (POST)

Saves a field report Payroll time observation (creates new or updates existing). See “Response class for field report observation POST endpoints” on page 34.

Request Parameters			/api/fieldreports/payrolltime/save (POST)	
Parameter	Required		Parameter type	Data type
payrollTimeSave	✓	The save request.	body	See response class for (GET)
X-DatabaseName	✓	The company data folder name.	header	string
X-Credentials	✓	The user credentials token.	header	string
X-DPPKey	✓	The DPP license key for this API.	header	string

Licensing and User Permission Requirements			/api/fieldreports/payrolltime/save (POST)	
DPP Licenses	Customer Licenses	User Permissions		
DPPProjectManagementFieldReportsEntry	Project Management API Lookups	Mobile Projects > Field Reports		

## /api/fieldreports/payrolltime/delete (POST)

Deletes the specified field report Payroll time observation. See “Response class for field report observation POST endpoints” on page 34.

Request Parameters			/api/fieldreports/payrolltime/delete (POST)	
Parameter	Required		Parameter type	Data type
deleteRequestDto	✓	The delete request. Set Index as the payroll time observation index to delete.	body	DateTimeStamp (string) Index (integer)
X-DatabaseName	✓	The company data folder name.	header	string
X-Credentials	✓	The user credentials token.	header	string
X-DPPKey	✓	The DPP license key for this API.	header	string

Licensing and User Permission Requirements			/api/fieldreports/payrolltime/delete (POST)	
DPP Licenses	Customer Licenses	User Permissions		
DPPProjectManagementFieldReportsEntry	Project Management API Lookups	Mobile Projects > Field Reports		



## /api/fieldreports/payrolltime/sendtopayroll (POST)

Sends Payroll time observations within a specific date range to Payroll.

Request Parameters		/api/fieldreports/payrolltime/sendtopayroll (POST)		
Parameter	Required		Parameter type	Data type
sendRequestDto	✓	The send to payroll request.	body	FieldReportIndex (integer) PeriodBeginDate (string) PeriodEndDate (string)
X-DatabaseName	✓	The company data folder name.	header	string
X-Credentials	✓	The user credentials token.	header	string
X-DPPKey	✓	The DPP license key for this API.	header	string
X-PRMFileName	✓	The name of the Payroll master file. Must be entered if named files are used for PRM files.	header	string
X-PRSFilename	✓	The name of the Payroll standard file. Must be entered if named files are used for PRS files.	header	string
XPRTNewFileName	✓	The name of the Payroll transaction file. Must be entered if named files are used for PRT files.	header	string

Response Class Data Node		/api/fieldreports/payrolltime/sendtopayroll (POST)	
Attributes	Notes		
Data (string)			
The response class includes the <b>Errors</b> , <b>Meta</b> , and <b>Success</b> nodes.			

Licensing and User Permission Requirements			/api/fieldreports/payrolltime/sendtopayroll (POST)		
DPP Licenses	Customer Licenses	User Permissions			
DPPPProjectManagementFieldReportsEntry	Project Management API Lookups	Mobile Projects > Field Reports Mobile Projects > Send Time to Payroll			

## /api/fieldreports/event/{eventIndex} (GET)

Gets the event observation with the given index.

Request Parameters		/api/fieldreports/event/{eventIndex} (GET)		
Parameter	Required		Parameter type	Data type
eventIndex	✓	The event observation index to find.	path	long
X-DatabaseName	✓	The company data folder name.	header	string
X-Credentials	✓	The user credentials token.	header	string
X-DPPKey	✓	The DPP license key for this API.	header	string

Response Class Data Node		/api/fieldreports/event/{eventIndex} (GET)	
Attributes	Notes		
CustomDate (string) CustomNumber (number) CustomText (string) Employee (string) Equipment (string) EquipmentDescription (string) EventType (string) FromTime (string) IsCustomChecked (boolean) Notes (string) PartyInvolved (string) ToTime (string) FieldReportDateTimeStamp (string) FieldReportIndex (integer) Index (integer)	<ul style="list-style-type: none"> <li>The attributes starting with "Custom" can be modified in <b>Custom Descriptions</b>.</li> <li>The <b>Employee</b> and <b>PartyInvolved</b> attributes return Address Book person contact IDs.</li> </ul>		
The response class includes the <b>Errors</b> , <b>Meta</b> , and <b>Success</b> nodes.			

Licensing and User Permission Requirements		/api/fieldreports/event/{eventIndex} (GET)	
DPP Licenses	Customer Licenses	User Permissions	
DPPProjectManagementFieldReportsEntry	Project Management API Lookups	Mobile Projects > Field Reports	

## /api/fieldreports/event/save (POST)

Saves a field report event observation (creates new or updates existing). See “Response class for field report observation POST endpoints” on page 34.

Request Parameters		/api/fieldreports/event/save (POST)		
Parameter	Required		Parameter type	Data type
<b>eventSaveRequest</b>	✓	The save request.	body	See response class for (GET)
<b>X-DatabaseName</b>	✓	The company data folder name.	header	string
<b>X-Credentials</b>	✓	The user credentials token.	header	string
<b>X-DPPKey</b>	✓	The DPP license key for this API.	header	string

Licensing and User Permission Requirements			/api/fieldreports/event/save (POST)
DPP Licenses	Customer Licenses	User Permissions	
DPPProjectManagementFieldReportsEntry	Project Management API Lookups	Mobile Projects > Field Reports	

## /api/fieldreports/event/delete (POST)

Deletes the specified field report event observation. See “Response class for field report observation POST endpoints” on page 34.

Request Parameters		/api/fieldreports/event/delete (POST)		
Parameter	Required		Parameter type	Data type
<b>deleteRequestDto</b>	✓	The delete request.	body	DateTimeStamp (string) Index (integer)
<b>X-DatabaseName</b>	✓	The company data folder name.	header	string
<b>X-Credentials</b>	✓	The user credentials token.	header	string
<b>X-DPPKey</b>	✓	The DPP license key for this API.	header	string

Licensing and User Permission Requirements			/api/fieldreports/event/delete (POST)
DPP Licenses	Customer Licenses	User Permissions	
DPPProjectManagementFieldReportsEntry	Project Management API Lookups	Mobile Projects > Field Reports	

## /api/fieldreports/weathersiteconditions/{weathersiteconditionsIndex} (GET)

Gets the weather site conditions observation with the given index.

Request Parameters /api/fieldreports/weathersiteconditions/{weathersiteconditionsIndex} (GET)				
Parameter	Required		Parameter type	Data type
<b>weatherSiteConditionsIndex</b>	✓	The weather site conditions observation index to find.	path	long
<b>X-DatabaseName</b>	✓	The company data folder name.	header	string
<b>X-Credentials</b>	✓	The user credentials token.	header	string
<b>X-DPPKey</b>	✓	The DPP license key for this API.	header	string

Response Class Data Node /api/fieldreports/weathersiteconditions/{weathersiteconditionsIndex} (GET)	
Attributes	Notes
CustomDate (string) CustomNumber (number) CustomText (string) FromTime (string) GroundConditions (string) Humidity (string) IsCustomChecked (boolean) Notes (string) Precipitation (number) PrecipitationUnitOfMeasure (string) Sky (string) Temperature (number) TemperatureUnitOfMeasure (string) ToTime (string) Weather (string) Wind (string) FieldReportDateTimeStamp (string) FieldReportIndex (integer) Index (integer)	The attributes starting with "Custom" can be modified in <a href="#">Custom Descriptions</a> .
The response class includes the <b>Errors</b> , <b>Meta</b> , and <b>Success</b> nodes.	

Licensing and User Permission Requirements		
DPP Licenses	Customer Licenses	User Permissions
DPPProjectManagementFieldReportsEntry	Project Management API Lookups	Mobile Projects > Field Reports

## /api/fieldreports/weathersiteconditions/save (POST)

Saves a field report weather site conditions observation (creates new or updates existing). See “Response class for field report observation POST endpoints” on page 34.

Request Parameters		/api/fieldreports/weathersiteconditions/save (POST)		
Parameter	Required		Parameter type	Data type
weatherSiteConditionsSave	✓	The save request.	body	See response class for (GET)
X-DatabaseName	✓	The company data folder name.	header	string
X-Credentials	✓	The user credentials token.	header	string
X-DPPKey	✓	The DPP license key for this API.	header	string

Licensing and User Permission Requirements			/api/fieldreports/weathersiteconditions/save (POST)
DPP Licenses	Customer Licenses	User Permissions	
DPPProjectManagementFieldReportsEntry	Project Management API Lookups	Mobile Projects > Field Reports	

## /api/fieldreports/weathersiteconditions/delete (POST)

Deletes the specified field report weather site conditions observation. See “Response class for field report observation POST endpoints” on page 34.

Request Parameters		/api/fieldreports/weathersiteconditions/delete (POST)		
Parameter	Required		Parameter type	Data type
deleteRequestDto	✓	The delete request.	body	DateTimeStamp (string) Index (integer)
X-DatabaseName	✓	The company data folder name.	header	string
X-Credentials	✓	The user credentials token.	header	string
X-DPPKey	✓	The DPP license key for this API.	header	string

Licensing and User Permission Requirements			/api/fieldreports/weathersiteconditions/delete (POST)
DPP Licenses	Customer Licenses	User Permissions	
DPPProjectManagementFieldReportsEntry	Project Management API Lookups	Mobile Projects > Field Reports	

## /api/fieldreports/journalentry/{journalentryIndex} (GET)

Gets the journal entry observation with the given index.

Request Parameters		/api/fieldreports/journalentry/{journalentryIndex} (GET)		
Parameter	Required		Parameter type	Data type
<b>journalEntryIndex</b>	✓	The journal entry observation index to find.	path	long
<b>X-DatabaseName</b>	✓	The company data folder name.	header	string
<b>X-Credentials</b>	✓	The user credentials token.	header	string
<b>X-DPPKey</b>	✓	The DPP license key for this API.	header	string

Response Class Data Node		/api/fieldreports/journalentry/{journalentryIndex} (GET)	
Attributes		Notes	
Category (string) CustomDate (string) CustomNumber (number) CustomText (string) Description (string) IsCustomChecked (boolean) Notes (string) Time (string) FieldReportDateTimeStamp (string) FieldReportIndex (integer) Index (integer)		The attributes starting with "Custom" can be modified in <b>Custom Descriptions</b> .	
The response class includes the <b>Errors</b> , <b>Meta</b> , and <b>Success</b> nodes.			

Licensing and User Permission Requirements			/api/fieldreports/journalentry/{journalentryIndex} (GET)	
DPP Licenses	Customer Licenses		User Permissions	
DPPProjectManagementFieldReportsEntry	Project Management API Lookups		Mobile Projects > Field Reports	

## /api/fieldreports/journalentry/save (POST)

Saves a field report journal entry observation (creates new or updates existing). See “Response class for field report observation POST endpoints” on page 34.

Request Parameters			/api/fieldreports/journalentry/save (POST)	
Parameter	Required		Parameter type	Data type
journalEntrySave	✓	The save request.	body	See response class for (GET)
X-DatabaseName	✓	The company data folder name.	header	string
X-Credentials	✓	The user credentials token.	header	string
X-DPPKey	✓	The DPP license key for this API.	header	string

Licensing and User Permission Requirements			/api/fieldreports/journalentry/save (POST)	
DPP Licenses	Customer Licenses	User Permissions		
DPPProjectManagementFieldReportsEntry	Project Management API Lookups	Mobile Projects > Field Reports		

## /api/fieldreports/journalentry/delete (POST)

Deletes the specified field report journal entry observation. See “Response class for field report observation POST endpoints” on page 34.

Request Parameters			/api/fieldreports/journalentry/delete (POST)	
Parameter	Required		Parameter type	Data type
deleteRequestDto	✓	The delete request.	body	DateTimeStamp (string) Index (integer)
X-DatabaseName	✓	The company data folder name.	header	string
X-Credentials	✓	The user credentials token.	header	string
X-DPPKey	✓	The DPP license key for this API.	header	string

Licensing and User Permission Requirements			/api/fieldreports/journalentry/delete (POST)	
DPP Licenses	Customer Licenses	User Permissions		
DPPProjectManagementFieldReportsEntry	Project Management API Lookups	Mobile Projects > Field Reports		

## /api/fieldreports/material/{materialIndex} (GET)

Gets the materials observation with the given index.

Request Parameters		/api/fieldreports/material/{materialIndex} (GET)		
Parameter	Required		Parameter type	Data type
<b>materialIndex</b>	✓	The materials observation index to find.	path	long
<b>X-DatabaseName</b>	✓	The company data folder name.	header	string
<b>X-Credentials</b>	✓	The user credentials token.	header	string
<b>X-DPPKey</b>	✓	The DPP license key for this API.	header	string

Response Class Data Node		/api/fieldreports/material/{materialIndex} (GET)	
Attributes		Notes	
CustomDate (string) CustomNumber (number) CustomText (string) Description (string) FreightCompany (string) IsCustomChecked (boolean) Notes (string) PurchasedFrom (string) PurchaseOrder (string) Quantity (number) QuantityUnitOfMeasure (string) ReceivedBy (string) ReceivedTime (string) TicketNumber (string) FieldReportDateTimeStamp (string) FieldReportIndex (integer) Index (integer)		<ul style="list-style-type: none"> <li>The attributes starting with "Custom" can be modified in <b>Custom Descriptions</b>.</li> <li>The Purchase Order attribute references a Job Cost commitment of type "Purchase Order."</li> <li>The <b>FreightCompany</b> and <b>PurchasedFrom</b> attributes return Address Book company contact IDs.</li> <li>The <b>RecievedBy</b> attribute returns an Address Book person contact ID.</li> </ul>	
The response class includes the <b>Errors</b> , <b>Meta</b> , and <b>Success</b> nodes.			

Licensing and User Permission Requirements			/api/fieldreports/material/{materialIndex} (GET)	
DPP Licenses	Customer Licenses		User Permissions	
DPPProjectManagementFieldReportsEntry	Project Management API Lookups		Mobile Projects > Field Reports	



## /api/fieldreports/material/save (POST)

Saves a field report material observation (creates new or updates existing). See “Response class for field report observation POST endpoints” on page 34.

Request Parameters		/api/fieldreports/material/save (POST)		
Parameter	Required		Parameter type	Data type
saveRequestDto	✓	The save request.	body	See response class for (GET)
X-DatabaseName	✓	The company data folder name.	header	string
X-Credentials	✓	The user credentials token.	header	string
X-DPPKey	✓	The DPP license key for this API.	header	string

Licensing and User Permission Requirements			/api/fieldreports/material/save (POST)
DPP Licenses	Customer Licenses	User Permissions	
DPPProjectManagementFieldReportsEntry	Project Management API Lookups	Mobile Projects > Field Reports	

## /api/fieldreports/material/delete (POST)

Deletes the specified field report material observation. See “Response class for field report observation POST endpoints” on page 34.

Request Parameters		/api/fieldreports/material/delete (POST)		
Parameter	Required		Parameter type	Data type
deleteRequestDto	✓	The delete request.	body	DateTimeStamp (string) Index (integer)
X-DatabaseName	✓	The company data folder name.	header	string
X-Credentials	✓	The user credentials token.	header	string
X-DPPKey	✓	The DPP license key for this API.	header	string

Licensing and User Permission Requirements			/api/fieldreports/material/delete (POST)
DPP Licenses	Customer Licenses	User Permissions	
DPPProjectManagementFieldReportsEntry	Project Management API Lookups	Mobile Projects > Field Reports	

## /api/fieldreports/{fieldReportIndex} (GET)

Gets the field report with the given index.

Request Parameters		/api/fieldreports/{fieldReportIndex} (GET)		
Parameter	Required		Parameter type	Data type
<b>fieldReportIndex</b>	✓	The field report observation index to find.	path	long
<b>X-DatabaseName</b>	✓	The company data folder name.	header	string
<b>X-Credentials</b>	✓	The user credentials token.	header	string
<b>X-DPPKey</b>	✓	The DPP license key for this API.	header	string

Response Class Data Node		/api/fieldreports/{fieldReportIndex} (GET)
Attributes	Notes	
Equipment (list) Event (list) Extra (list) JournalEntry (list) Labor (list) Material (list) PayrollTime (list) Subcontractor (list) Visitor (list) WeatherSiteConditions (list) WorkActivities (list) Date (string) DateTimeStamp (string) Description (string) FieldReportIndex (integer) FieldReportType (string) IsFinalized (boolean) Number (string) JcJob (string) PreparedBy (string)	For the list attributes, see the corresponding response class for the individual endpoints.	
The response class includes the <b>Errors</b> , <b>Meta</b> , and <b>Success</b> nodes.		

Licensing and User Permission Requirements		/api/fieldreports/{fieldReportIndex} (GET)
DPP Licenses	Customer Licenses	User Permissions
DPPProjectManagementFieldReportsEntry	Project Management API Lookups	Mobile Projects > Field Reports

## /api/fieldreports (GET)

Gets a list of field reports that match the given criteria.

Request Parameters			/api/fieldreports (GET)	
Parameter	Required		Parameter type	Data type
SortDirection		The sort direction— <b>Ascending</b> or <b>Descending</b> .	query	string
SortField		The sorted field.	query	string
Skip		Skips the input quantity of records.	query	integer
Take		Limits results to the input quantity.	query	integer
X-DatabaseName	✓	The company data folder name.	header	string
X-Credentials	✓	The user credentials token.	header	string
X-DPPKey	✓	The DPP license key for this API.	header	string

Response Class Data Node		/api/fieldreports (GET)
Attributes	Notes	
Date (string) DateTimeStamp (string) Description (string) FieldReportIndex (integer) FieldReportType (string) IsFinalized (boolean) Number (string) JcJob (string) PreparedBy (string)		
The response class includes the <b>Errors</b> , <b>Meta</b> , and <b>Success</b> nodes.		

Licensing and User Permission Requirements			/api/fieldreports (GET)
DPP Licenses	Customer Licenses	User Permissions	
DPPPProjectManagementFieldReportsEntry	Project Management API Lookups	Mobile Projects > Field Reports	

## /api/fieldreports/fieldreports/save (POST)

Saves a field report (creates new or updates existing). See “Response class for field report observation POST endpoints” on page 34.

Request Parameters			/api/fieldreports/save (POST)	
Parameter	Required		Parameter type	Data type
fieldReportSaveRequestDto	✓	The save request.	body	See response class for (GET)
X-DatabaseName	✓	The company data folder name.	header	string
X-Credentials	✓	The user credentials token.	header	string
X-DPPKey	✓	The DPP license key for this API.	header	string

Licensing and User Permission Requirements		/api/fieldreports/save (POST)	
DPP Licenses	Customer Licenses	User Permissions	
DPPProjectManagementFieldReportsEntry	Project Management API Lookups	Mobile Projects > Field Reports	

## /api/fieldreports/fieldreports/delete (POST)

Deletes the specified field report. See “Response class for field report observation POST endpoints” on page 34.

Request Parameters			/api/fieldreports/fieldreports/delete (POST)	
Parameter	Required	Description	Parameter type	Data type
deleteRequestDto	✓	The delete request.	body	DateTimeStamp (string) Index (integer)
X-DatabaseName	✓	The company data folder name.	header	string
X-Credentials	✓	The user credentials token.	header	string
X-DPPKey	✓	The DPP license key for this API.	header	string

Licensing and User Permission Requirements		/api/fieldreports/fieldreports/delete (POST)	
DPP Licenses	Customer Licenses	User Permissions	
DPPProjectManagementFieldReportsEntry	Project Management API Lookups	Mobile Projects > Field Reports	

## /api/fieldreports/fieldreports/finalize (POST)

Finalizes the specified field report. See “Response class for field report observation POST endpoints” on page 34.



**WARNING:** Once this method is called, no more observations of any kind can be added to the field report. Also, no further changes can be made to the field report itself or any of its existing observations. The restrictions placed on finalized field reports in the DPP API are more strict than those present for the Mobile API.

Request Parameters			/api/fieldreports/fieldreports/finalize (POST)	
Parameter	Required	Description	Parameter type	Data type
finalizeRequestDto	✓	The finalize request.	body	DateTimeStamp (string) Index (integer)
X-DatabaseName	✓	The company data folder name.	header	string
X-Credentials	✓	The user credentials token.	header	string
X-DPPKey	✓	The DPP license key for this API.	header	string
X-JCTNewFileName	✓	The name of the New JCT file. Optionally used if named files are used for JCT files.	header	string
X-JCTCurrentFileName	✓	The name of the Current JCT file. Optionally used if named files are used for JCT files.	header	string

Licensing and User Permission Requirements		/api/fieldreports/fieldreports/finalize (POST)	
DPP Licenses	Customer Licenses	User Permissions	
DPPProjectManagementFieldReportsEntry	Project Management API Lookups	Mobile Projects > Field Reports Mobile Projects > Finalize Field Reports	

## /api/fieldreports/labor/{laborIndex} (GET)

Gets the labor observation with the given index.

Request Parameters			/api/fieldreports/labor/{laborIndex} (GET)	
Parameter	Required		Parameter type	Data type
laborIndex	✓	The labor observation index to find.	path	long
X-DatabaseName	✓	The company data folder name.	header	string
X-Credentials	✓	The user credentials token.	header	string
X-DPPKey	✓	The DPP license key for this API.	header	string

Response Class Data Node		/api/fieldreports/labor/{laborIndex} (GET)
Attributes	Notes	
CustomDate (string) CustomNumber (number) CustomText (string) Employee (string) IsCustomChecked (boolean) Notes (string) OvertimeHoursWorked (number) RegularHoursWorked (number) FieldReportDateTimeStamp (string) FieldReportIndex (integer) Index (integer)	<ul style="list-style-type: none"> <li>The attributes starting with "Custom" can be modified in <b>Custom Descriptions</b>.</li> <li>The <b>Employee</b> returns an Address Book person contact ID. (If the user has Payroll installed, they'll use the /api/fieldreports/payrolltime endpoints to enter time for Payroll employees.)</li> </ul>	
The response class includes the <b>Errors</b> , <b>Meta</b> , and <b>Success</b> nodes.		

Licensing and User Permission Requirements		/api/fieldreports/labor/{laborIndex} (GET)	
DPP Licenses	Customer Licenses	User Permissions	
DPPProjectManagementFieldReportsEntry	Project Management API Lookups	Mobile Projects > Field Reports	

## /api/fieldreports/labor/save (POST)

Saves a field report labor observation (creates new or updates existing). See “Response class for field report observation POST endpoints” on page 34.

Request Parameters		/api/fieldreports/labor/save (POST)		
Parameter	Required		Parameter type	Data type
laborSaveRequest	✓	The save request.	body	See response class for (GET)
X-DatabaseName	✓	The company data folder name.	header	string
X-Credentials	✓	The user credentials token.	header	string
X-DPPKey	✓	The DPP license key for this API.	header	string

Licensing and User Permission Requirements			/api/fieldreports/labor/save (POST)
DPP Licenses	Customer Licenses	User Permissions	
DPPProjectManagementFieldReportsEntry	Project Management API Lookups	Mobile Projects > Field Reports	

## /api/fieldreports/labor/delete (POST)

Deletes the specified field report labor observation. See “Response class for field report observation POST endpoints” on page 34.

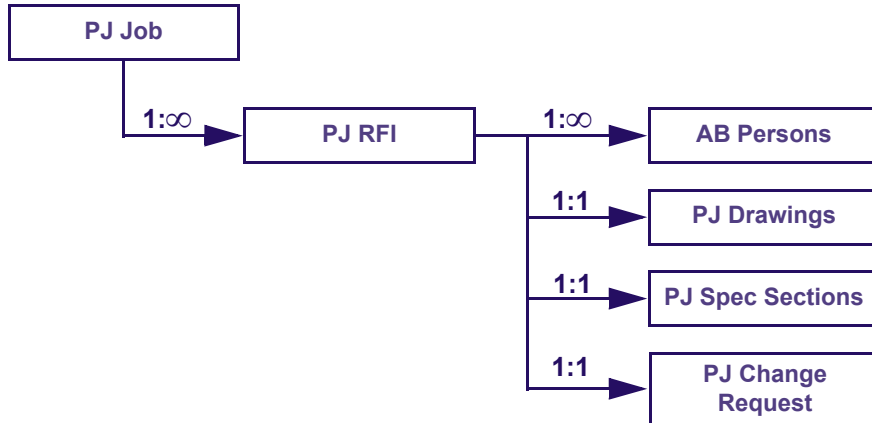
Request Parameters		/api/fieldreports/labor/delete (POST)		
Parameter	Required		Parameter type	Data type
deleteRequestDto	✓	The delete request.	body	DateTimeStamp (string) Index (integer)
X-DatabaseName	✓	The company data folder name.	header	string
X-Credentials	✓	The user credentials token.	header	string
X-DPPKey	✓	The DPP license key for this API.	header	string

Licensing and User Permission Requirements			/api/fieldreports/labor/delete (POST)
DPP Licenses	Customer Licenses	User Permissions	
DPPProjectManagementFieldReportsEntry	Project Management API Lookups	Mobile Projects > Field Reports	

# Project Management RFI endpoints

Estimators and project managers frequently need to query project owners, architects, and engineers about design details. These queries are known as RFIs, or Requests for Information, and can result in drawing revisions, change requests and change orders, commitment change orders, or other documentation.

RFI's are linked to relevant data types throughout the system (as shown in the graphic below).



## /api/rfis/{index} (GET)

Gets a Project Management RFI with the given index.

Request Parameters			/api/rfis/{index} (GET)	
Parameter	Required		Parameter type	Data type
<b>index</b>	✓	The RFI index to find.	path	long
<b>X-DatabaseName</b>	✓	The company data folder name.	header	string
<b>X-Credentials</b>	✓	The user credentials token.	header	string
<b>X-DPPKey</b>	✓	The DPP license key for this API.	header	string

Response Class Data Node		/api/rfis/{index} (GET)
Attributes	Notes	
Amount (string) Answer (string) AnsweredBy (string) AnsweredDate (string) CC (string list) ChangeRequestIndex (integer) CustomFields (list) Date (string) DateTimeStamp (string) DrawingReference (string) ForwardedDate (string) ForwardedTo (string list) Index (integer) IsClosed (boolean) IsCostImpacting (boolean) IsScheduleImpacting (boolean) Notes (string) Number (string) PjJob (integer) Question (string) ReceivedFrom (string) ReceivedNumber (string) RequiredBy (string) ReturnedDate (string) SpecSection (string) Status (string) Subject (string) SubmittedBy (string) TimeImpact (string) To (string) Urgency (string)	<ul style="list-style-type: none"> <li>The <b>AnsweredBy</b>, <b>SubmittedBy</b>, and <b>ReceivedFrom</b> attributes return Address Book person contact IDs.</li> <li>The <b>CC</b> attribute returns a list of Address Book person contact IDs.</li> </ul>	
The response class includes the <b>Errors</b> , <b>Meta</b> , and <b>Success</b> nodes.		

Licensing and User Permission Requirements			/api/rfis/{index} (GET)
DPP Licenses	Customer Licenses	User Permissions	
DPPProjectManagementRFIEntry	Project Management API Lookups	Mobile Projects > RFIs	



## /api/rfis (GET)

Gets a list of Project Management RFIs.

Request Parameters			/api/rfis (GET)	
Parameter	Required		Parameter type	Data type
<b>SortDirection</b>		The sort direction— <b>Ascending</b> or <b>Descending</b> .	query	string
<b>SortField</b>		The sorted field.	query	string
<b>Skip</b>		Skips the input quantity of records.	query	integer
<b>Take</b>		Limits results to the input quantity.	query	integer
<b>X-DatabaseName</b>	✓	The company data folder name.	header	string
<b>X-Credentials</b>	✓	The user credentials token.	header	string
<b>X-DPPKey</b>	✓	The DPP license key for this API.	header	string

Response Class Data Node		/api/rfis (GET)
Attributes	Notes	
Amount (string) Answer (string) AnsweredBy (string) AnsweredDate (string) CC (string list) ChangeRequestIndex (integer) CustomFields (list) Date (string) DateTimeStamp (string) DrawingReference (string) ForwardedDate (string) ForwardedTo (string list) Index (integer) IsClosed (boolean) IsCostImpacting (boolean) IsScheduleImpacting (boolean) Notes (string) Number (string) PjJob (integer) Question (string) ReceivedFrom (string) ReceivedNumber (string) RequiredBy (string) ReturnedDate (string) SpecSection (string) Status (string) Subject (string) SubmittedBy (string) TimeImpact (string) To (string) Urgency (string)	<ul style="list-style-type: none"> <li>The <b>AnsweredBy</b>, <b>SubmittedBy</b>, and <b>ReceivedFrom</b> attributes return Address Book person contact IDs.</li> <li>The <b>CC</b> attribute returns a list of Address Book person contact IDs.</li> </ul>	
The response class includes the <b>Errors</b> , <b>Meta</b> , and <b>Success</b> nodes.		

Licensing and User Permission Requirements			/api/rfis (GET)
DPP Licenses	Customer Licenses	User Permissions	
DPPProjectManagementRFIEntry	Project Management API Lookups	Mobile Projects > RFIs	

## /api/rfis/save (POST)

Saves an RFI (creates new or updates existing).

Request Parameters					/api/rfis/save (POST)
Parameter	Required		Parameter type	Data type	
rfiSaveRequestDto	✓	The save request.	body	See response class for (GET)	
X-DatabaseName	✓	The company data folder name.	header	string	
X-Credentials	✓	The user credentials token.	header	string	
X-DPPKey	✓	The DPP license key for this API.	header	string	

Licensing and User Permission Requirements			/api/rfis/save (POST)
DPP Licenses	Customer Licenses	User Permissions	
DPPProjectManagementRFIEntry	Project Management API Lookups	Mobile Projects > RFIs	

## /api/rfis/delete (POST)

Deletes the specified RFI.

Request Parameters					/api/rfis/delete (POST)
Parameter	Required	Description	Parameter type	Data type	
deleteRequestDto	✓	The delete request.	body	DateTimeStamp (string) Index (integer)	
X-DatabaseName	✓	The company data folder name.	header	string	
X-Credentials	✓	The user credentials token.	header	string	
X-DPPKey	✓	The DPP license key for this API.	header	string	

Licensing and User Permission Requirements			/api/rfis/delete (POST)
DPP Licenses	Customer Licenses	User Permissions	
DPPProjectManagementRFIEntry	Project Management API Lookups	Mobile Projects > Delete RFI	

## /api/rfis/nextnumber (GET)

Gets the next RFI number for the specified job.

Request Parameters			/api/rfis/nextnumber (GET)	
Parameter	Required		Parameter type	Data type
<b>pjJob</b>	✓	The Project Management job index.	query	long
<b>X-DatabaseName</b>	✓	The company data folder name.	header	string
<b>X-Credentials</b>	✓	The user credentials token.	header	string
<b>X-DPPKey</b>	✓	The DPP license key for this API.	header	string

Response Class Data Node		/api/rfis/nextnumber (GET)
Attributes	Notes	
PjJob (integer) NextNumber (string)		
The response class includes the <b>Errors</b> , <b>Meta</b> , and <b>Success</b> nodes.		

Licensing and User Permission Requirements			/api/rfis/nextnumber (GET)
DPP Licenses	Customer Licenses	User Permissions	
DPPProjectManagementRFIEntry	Project Management API Lookups	Mobile Projects > RFIs	